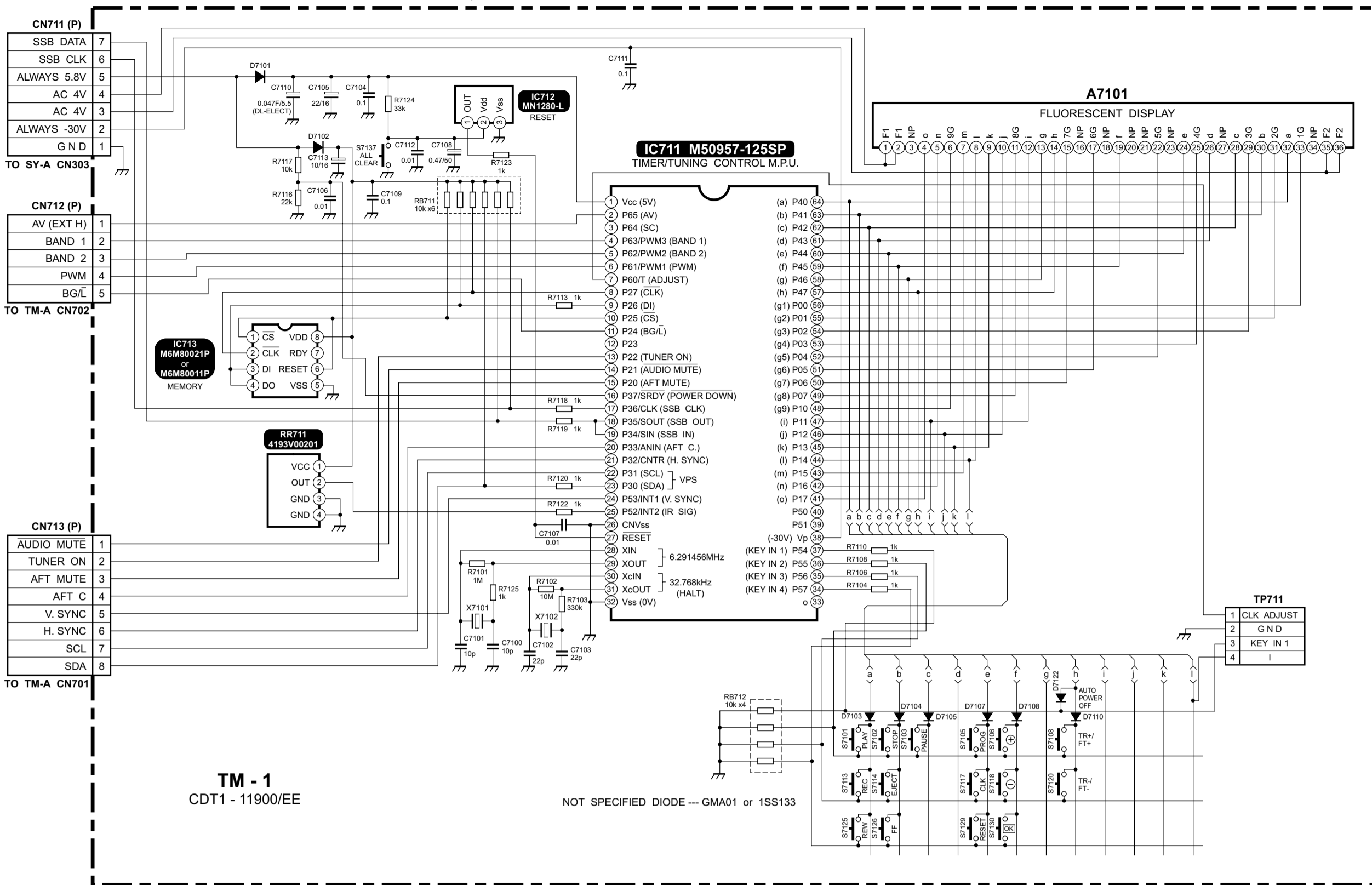


VCR Sanyo VHR5100EE

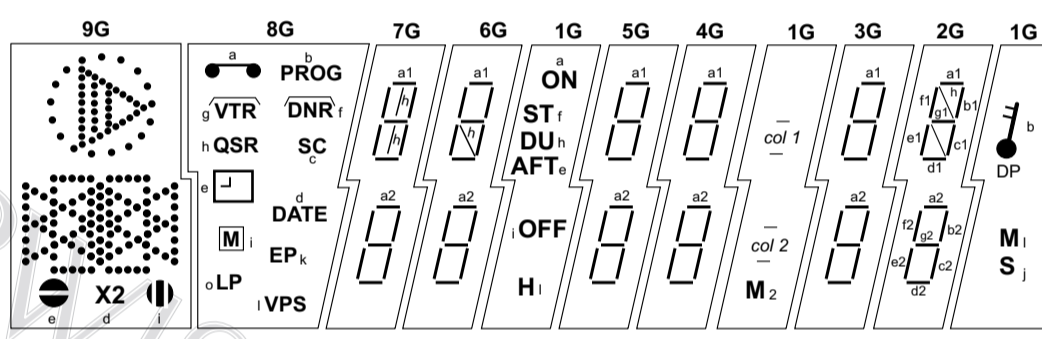
COMPL. TM-1 DISPLAY, TIMER & TUNING CONTROL CIRCUIT DIAGRAM



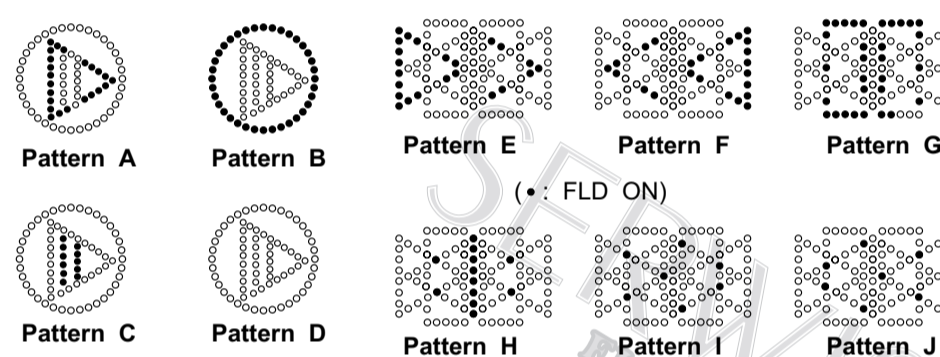
ANODE CONNECTION

	9G	8G	7G	6G	5G	4G	3G	2G	1G
a	B	a1	a1	a1	a1	a1	a1	a1	ON
b	A	PROG	b1	b1	b1	b1	b1	b1	DP
c	—	SC	c1	c1	c1	c1	c1	c1	—
d	x2	DATE	d1	d1	d1	d1	d1	d1	M(1)
e	—	—	e1	e1	e1	e1	e1	e1	AFT
f	C	DNR	f1	f1	f1	f1	f1	f1	ST
g	D	VTR	g1	g1	g1	g1	g1	g1	DU
h	—	OSR	—	—	—	—	—	—	—
i	—	—	a2	a2	a2	a2	a2	a2	OFF
j	E	—	b2	b2	b2	b2	b2	b2	S
k	—	EP	c2	c2	c2	c2	c2	c2	—
l	H	VPS	d2	d2	d2	d2	d2	d2	H
m	J	—	e2	e2	e2	e2	e2	e2	M(2)
n	F	—	f2	f2	f2	f2	f2	f2	—
o	G	LP	g2	g2	g2	g2	g2	g2	col 2

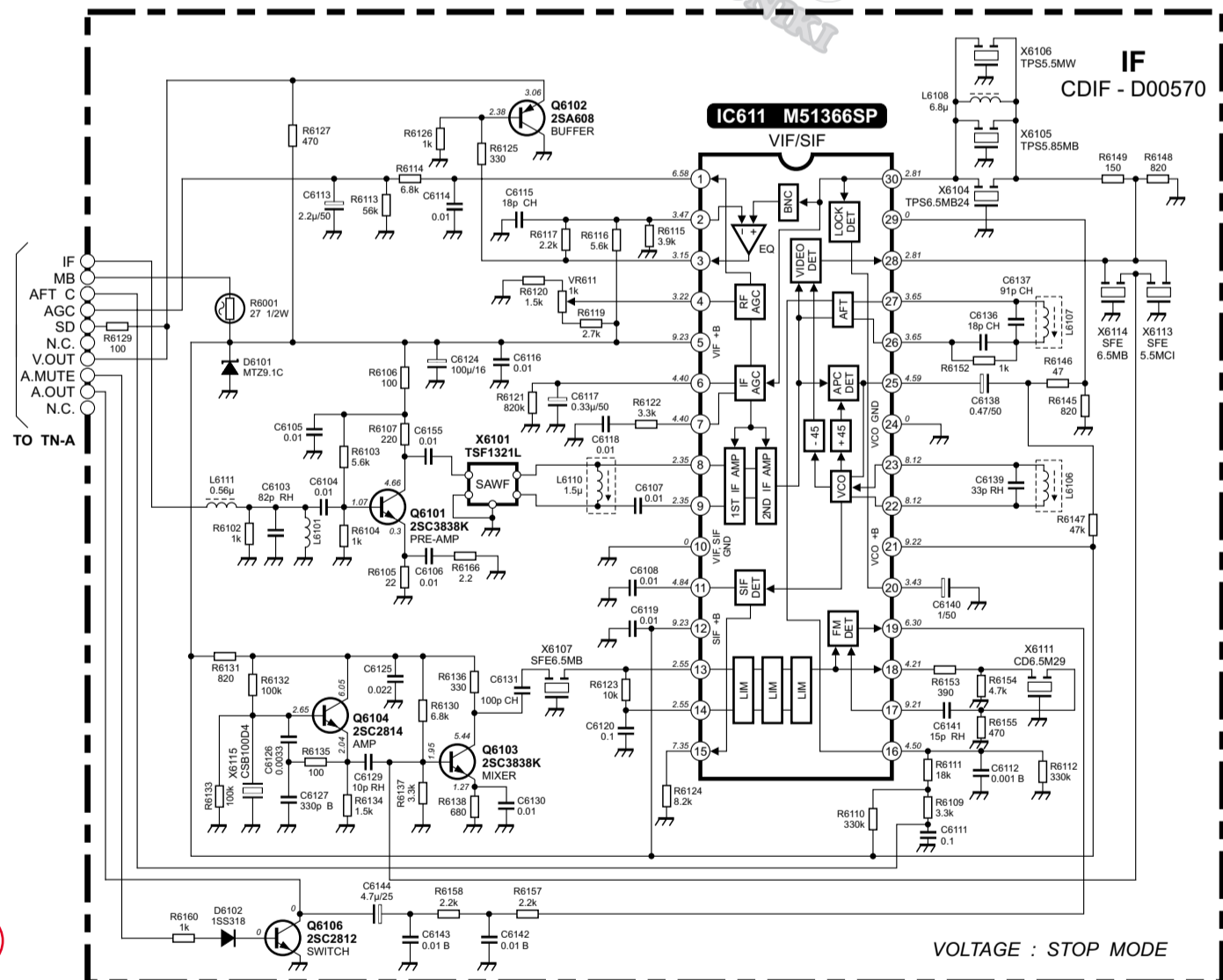
GRID ASSIGNMENT



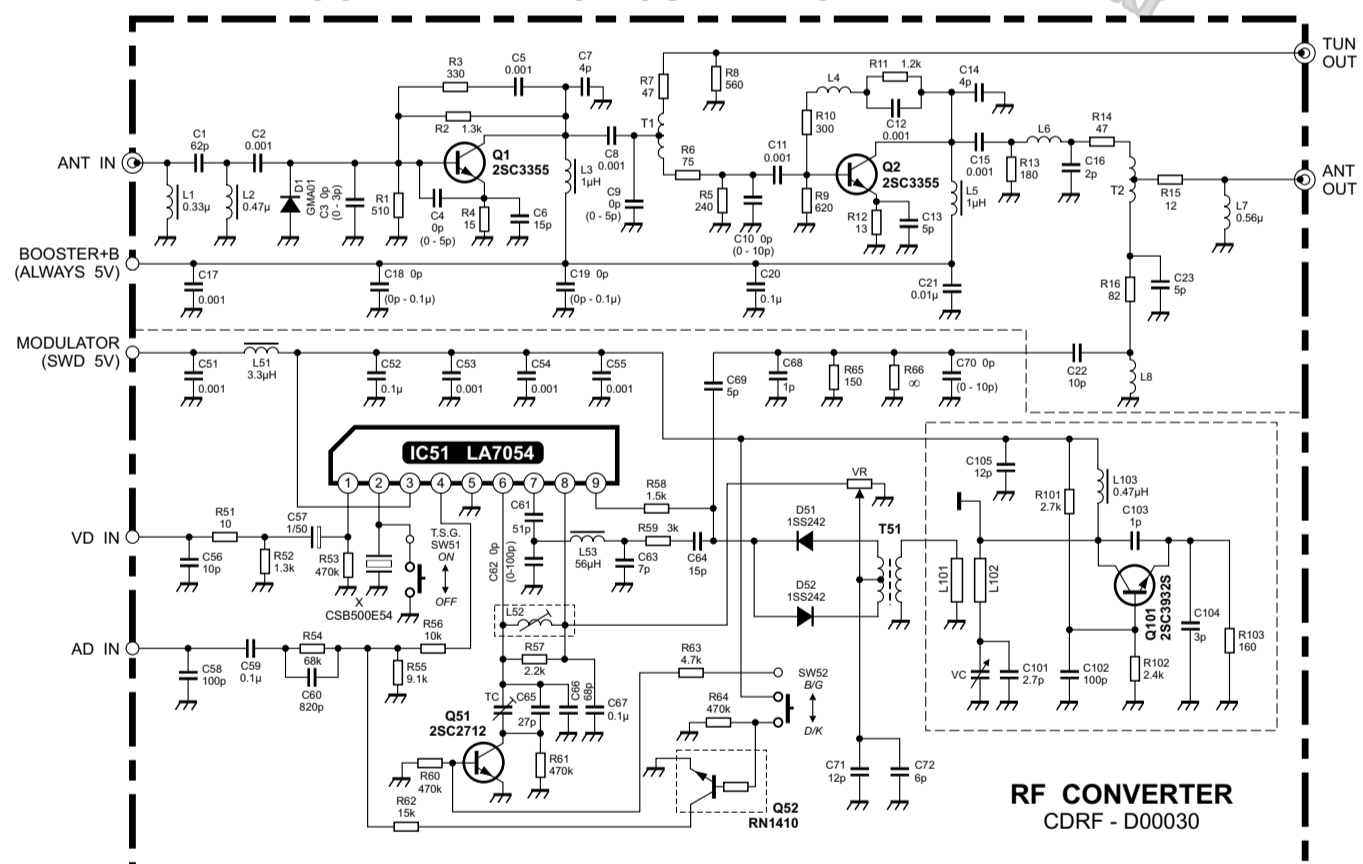
9G: GRAPHIC MODE DISPLAY



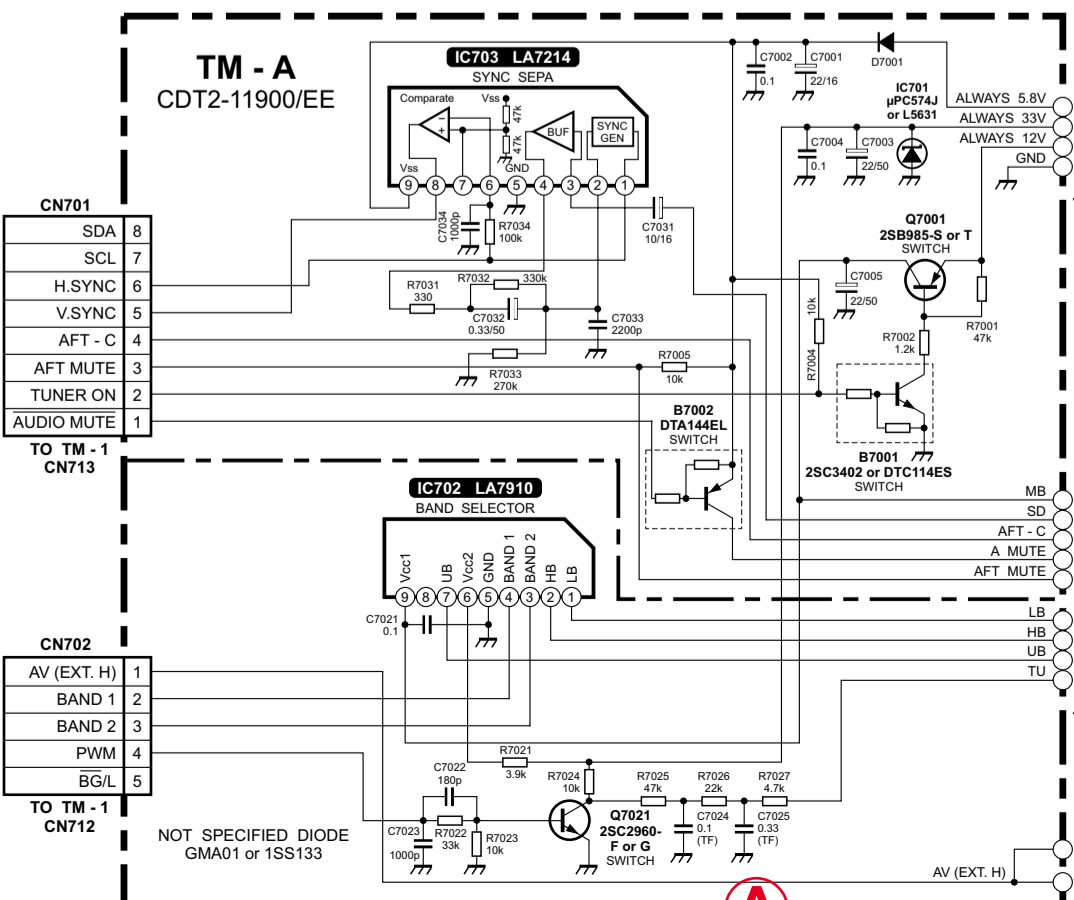
IF CIRCUIT DIAGRAM



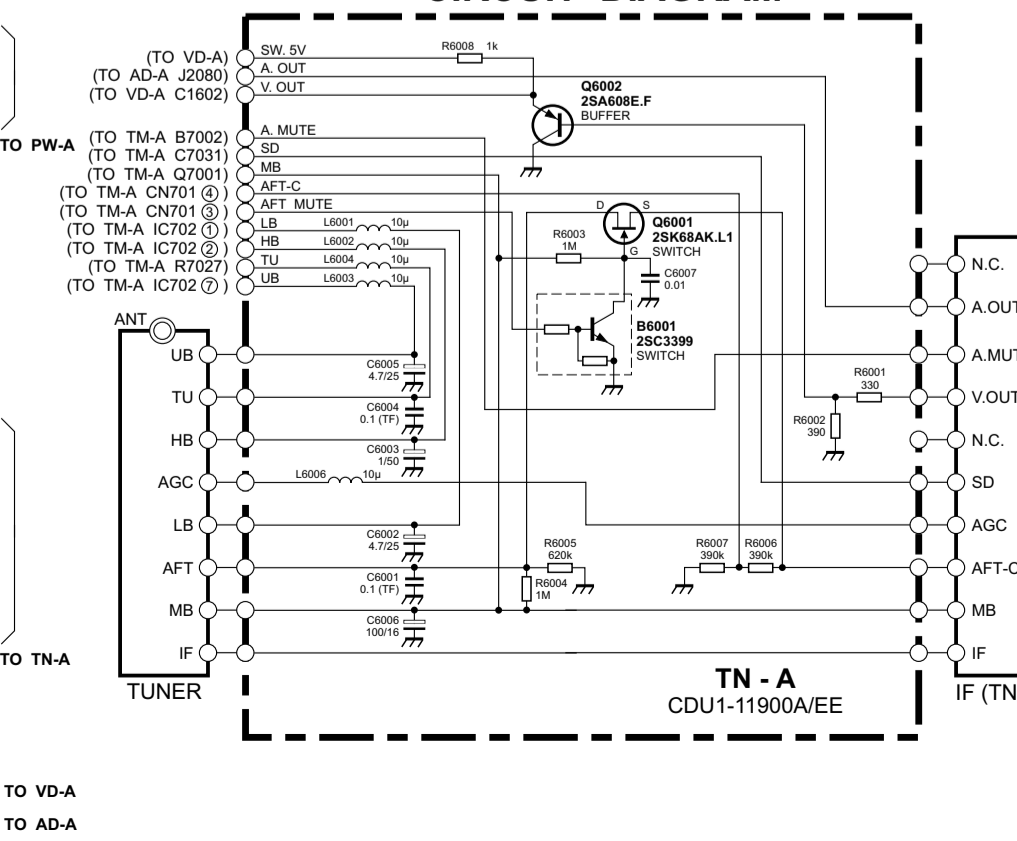
RF CONVERTER CIRCUIT DIAGRAM



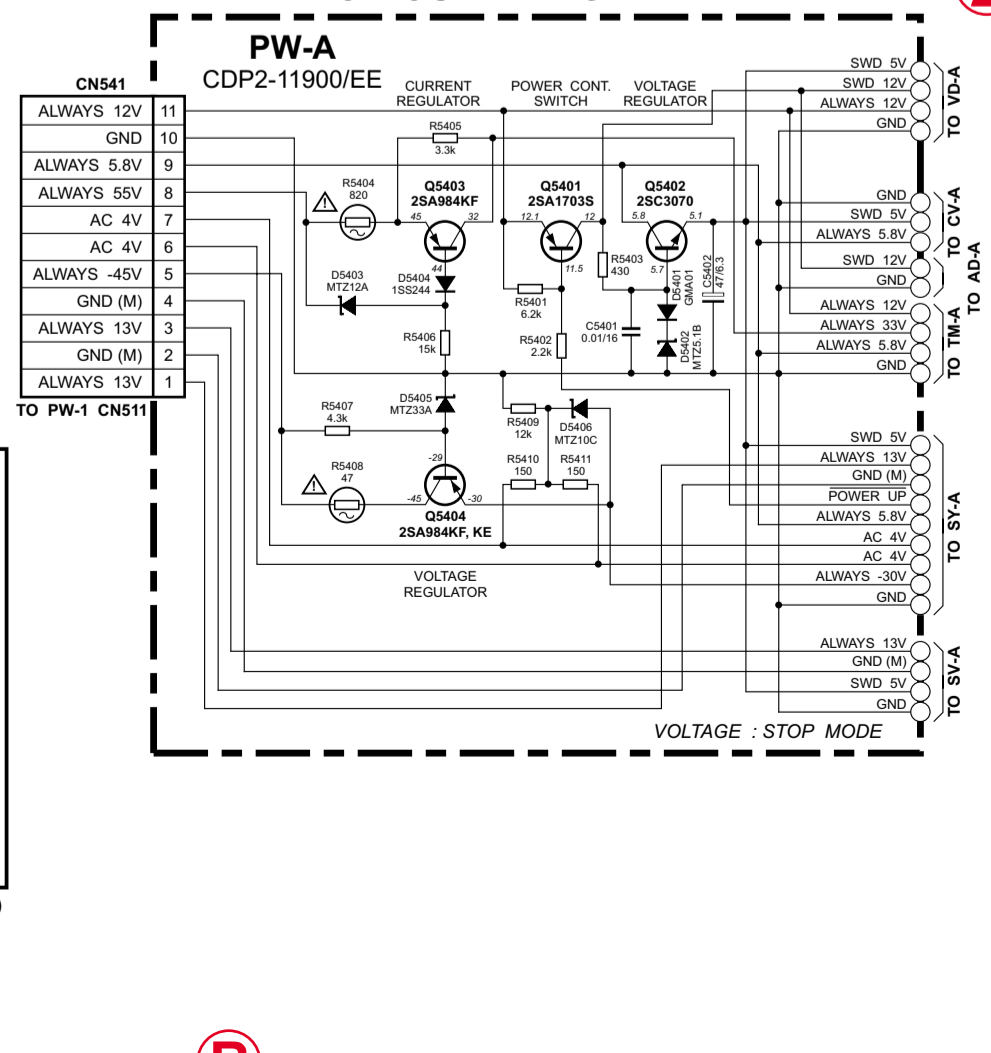
COMPL. CP-A (TM-A) SYNC. SEPARATION & TUNING SELECT CIRCUIT DIAGRAM



COMP. CP-A (TN-A) TUNER IF CONNECTION CIRCUIT DIAGRAM

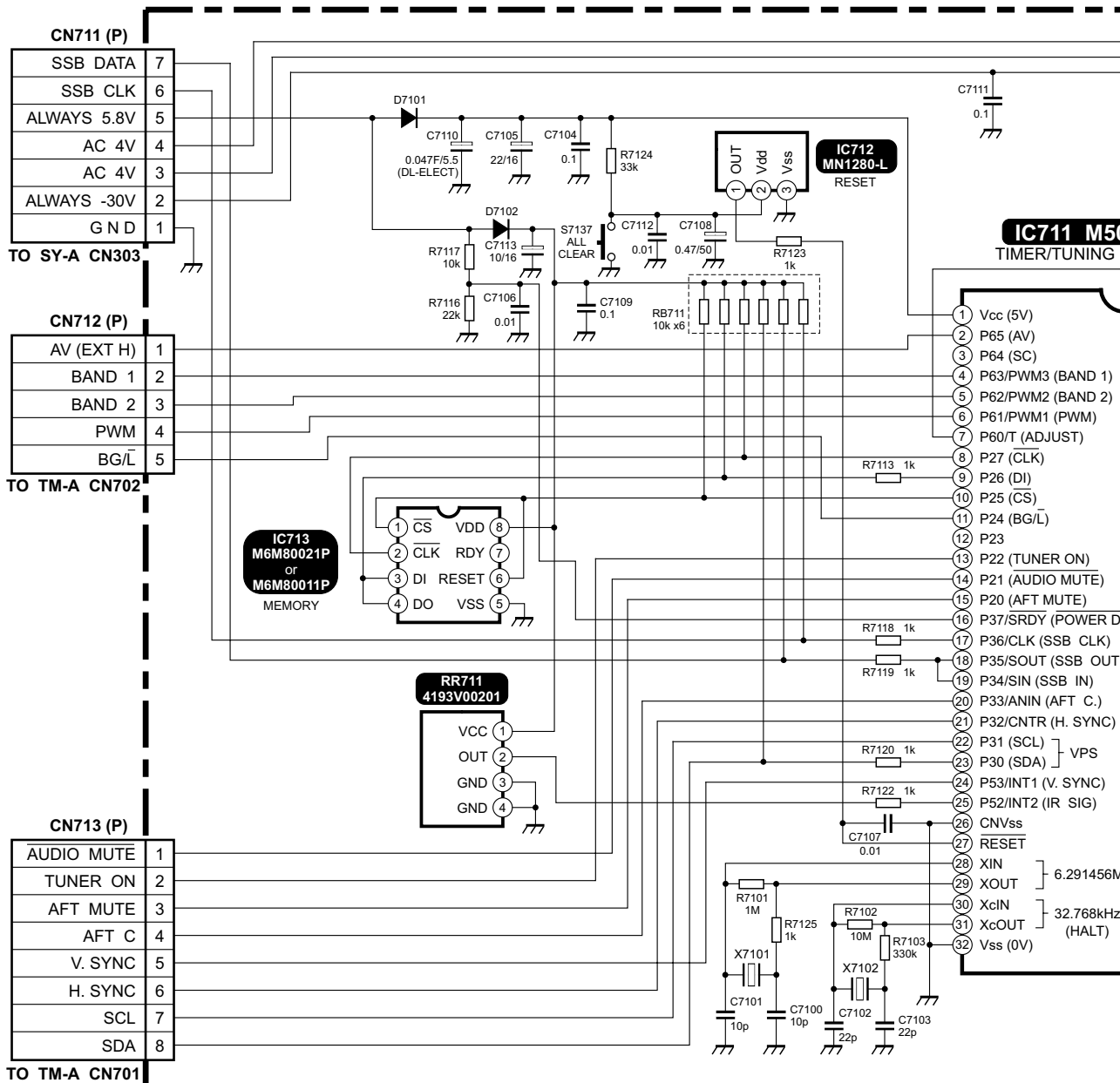


COMPL. CP-A (PW-A) POWER SUPPLY CIRCUIT DIAGRAM



VCR Sanyo VHR5100EE

COMPL. TM-1 DISPLAY, TIMER & TUNING CO



1

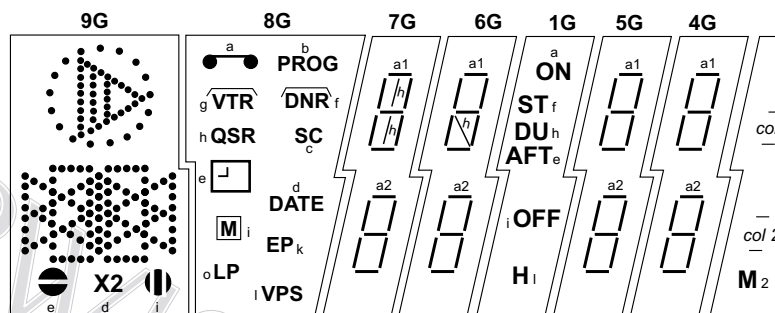
TM - 1
CDT1 - 11900/EE

NOT SPECIFIED DIODE -- G

ANODE CONNECTION

	9G	8G	7G	6G	5G	4G	3G	2G	1G
a	B	●	a1	a1	a1	a1	a1	a1	ON
b	A	PROG.	b1	b1	b1	b1	b1	b1	●
c	—	SC	c1	c1	c1	c1	c1	c1	DP
d	x2	DATE	d1	d1	d1	d1	d1	d1	M (1)
e	●	□	e1	e1	e1	e1	e1	e1	AFT
f	C	DNR	f1	f1	f1	f1	f1	f1	ST
g	D	VTR	g1	g1	g1	g1	g1	g1	col 1
h	-	OSR	—	—	—	—	—	—	DU
i		M	a2	a2	a2	a2	a2	a2	OFF
j	E	-	b2	b2	b2	b2	b2	b2	S
k	I	EP	c2	c2	c2	c2	c2	c2	-
l	H	VPS	d2	d2	d2	d2	d2	d2	H
m	J	-	e2	e2	e2	e2	e2	e2	M(2)
n	F	-	f2	f2	f2	f2	f2	f2	-
o	G	LP	g2	g2	g2	g2	g2	g2	col 2

GRID ASSIGNMENT

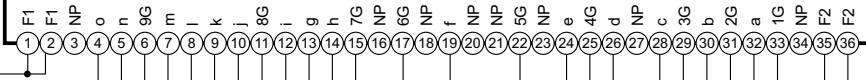


CONTROL CIRCUIT DIAGRAM

M50957-125SP
ING CONTROL M.P.U.

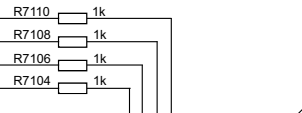
A7101

FLUORESCENT DISPLAY



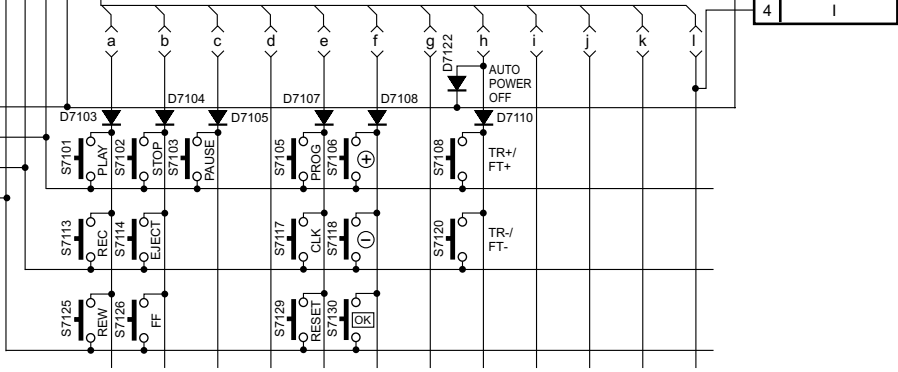
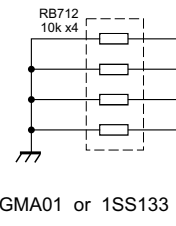
- (a) P40 (64)
- (b) P41 (63)
- (c) P42 (62)
- (d) P43 (61)
- (e) P44 (60)
- (f) P45 (59)
- (g) P46 (58)
- (h) P47 (57)
- (g1) P00 (56)
- (g2) P01 (55)
- (g3) P02 (54)
- (g4) P03 (53)
- (g5) P04 (52)
- (g6) P05 (51)
- (g7) P06 (50)
- (g8) P07 (49)
- (g9) P10 (48)
- (i) P11 (47)
- (j) P12 (46)
- (k) P13 (45)
- (l) P14 (44)
- (m) P15 (43)
- (n) P16 (42)
- (o) P17 (41)
- P50 (40)
- P51 (39)
- (-30V) Vp (38)

- (KEY IN 1) P54 (37)
- (KEY IN 2) P55 (36)
- (KEY IN 3) P56 (35)
- (KEY IN 4) P57 (34)
- o (33)

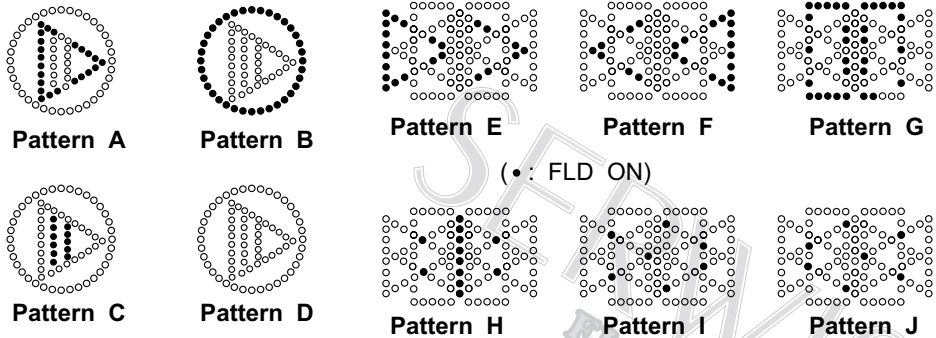
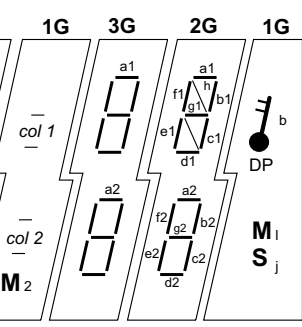


TP711

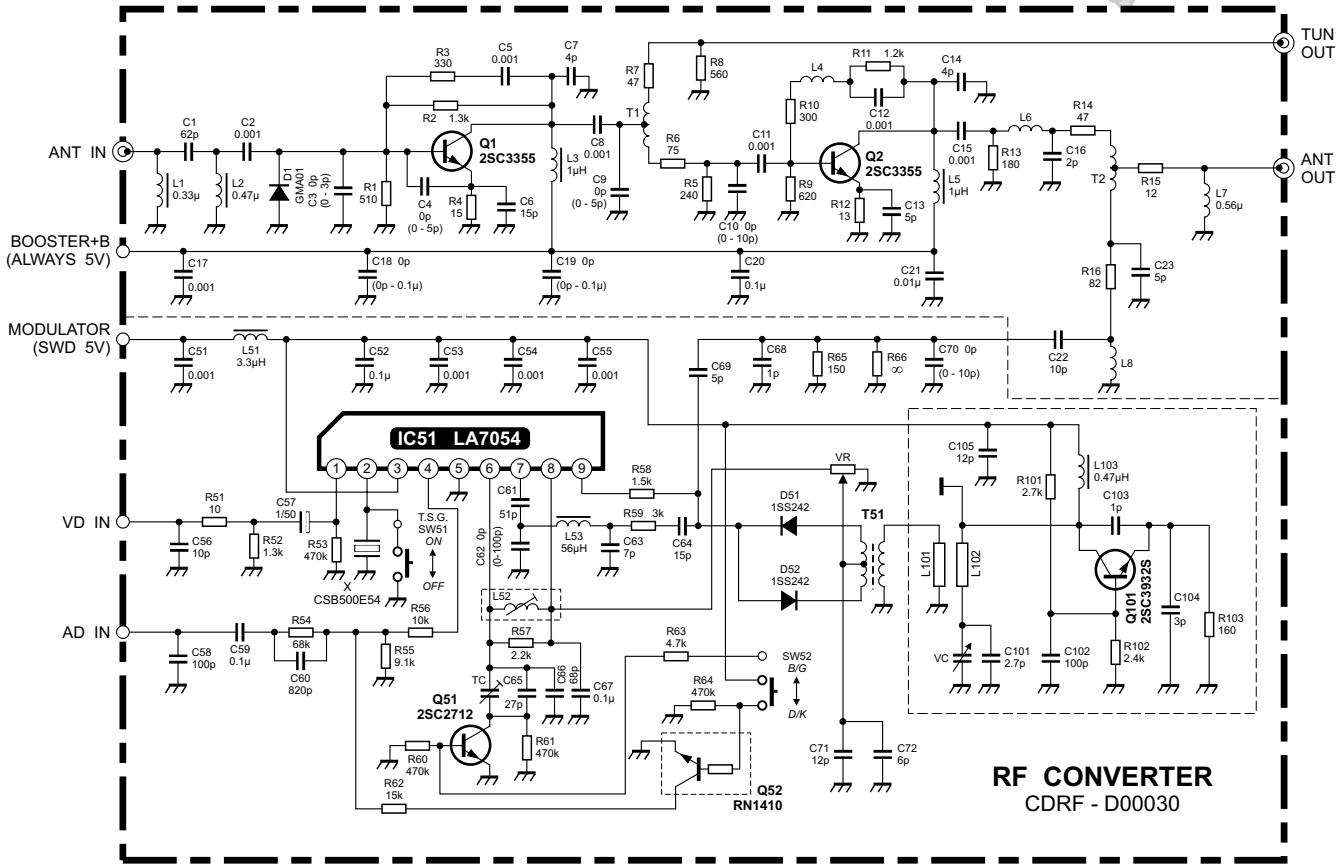
1	CLK ADJUST
2	GND
3	KEY IN 1
4	I



9G: GRAPHIC MODE DISPLAY



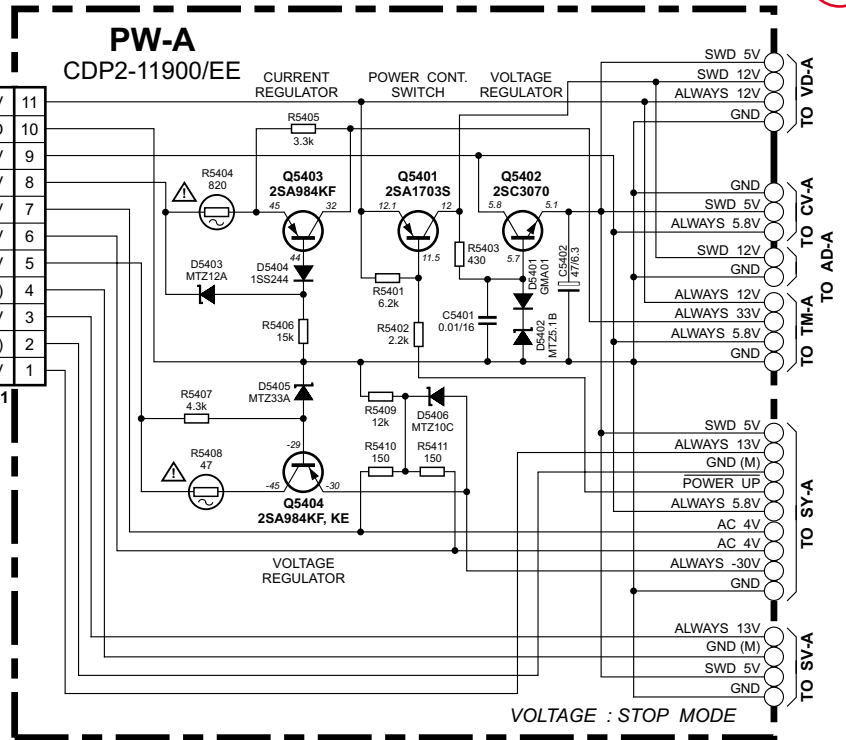
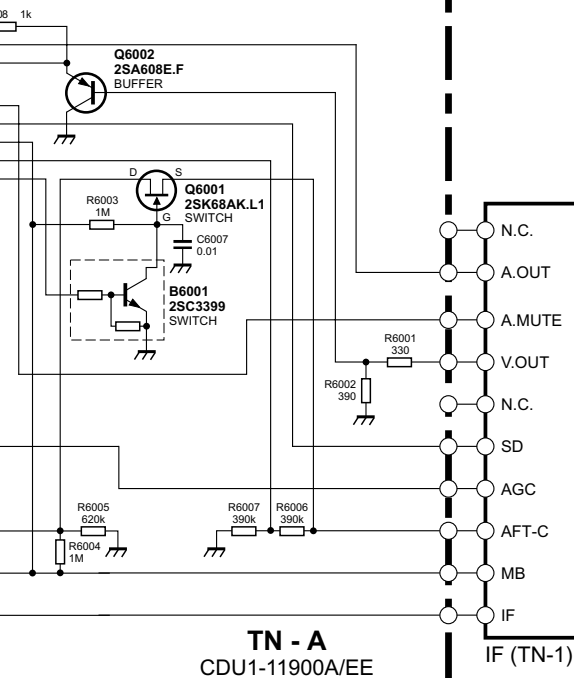
RF CONVERTER CIRCUIT DIAGRAM



COMPL. CP-A (PW-A) POWER SUPPLY CIRCUIT DIAGRAM

2

CP-A) TUNER IF CONNECTION CIRCUIT DIAGRAM



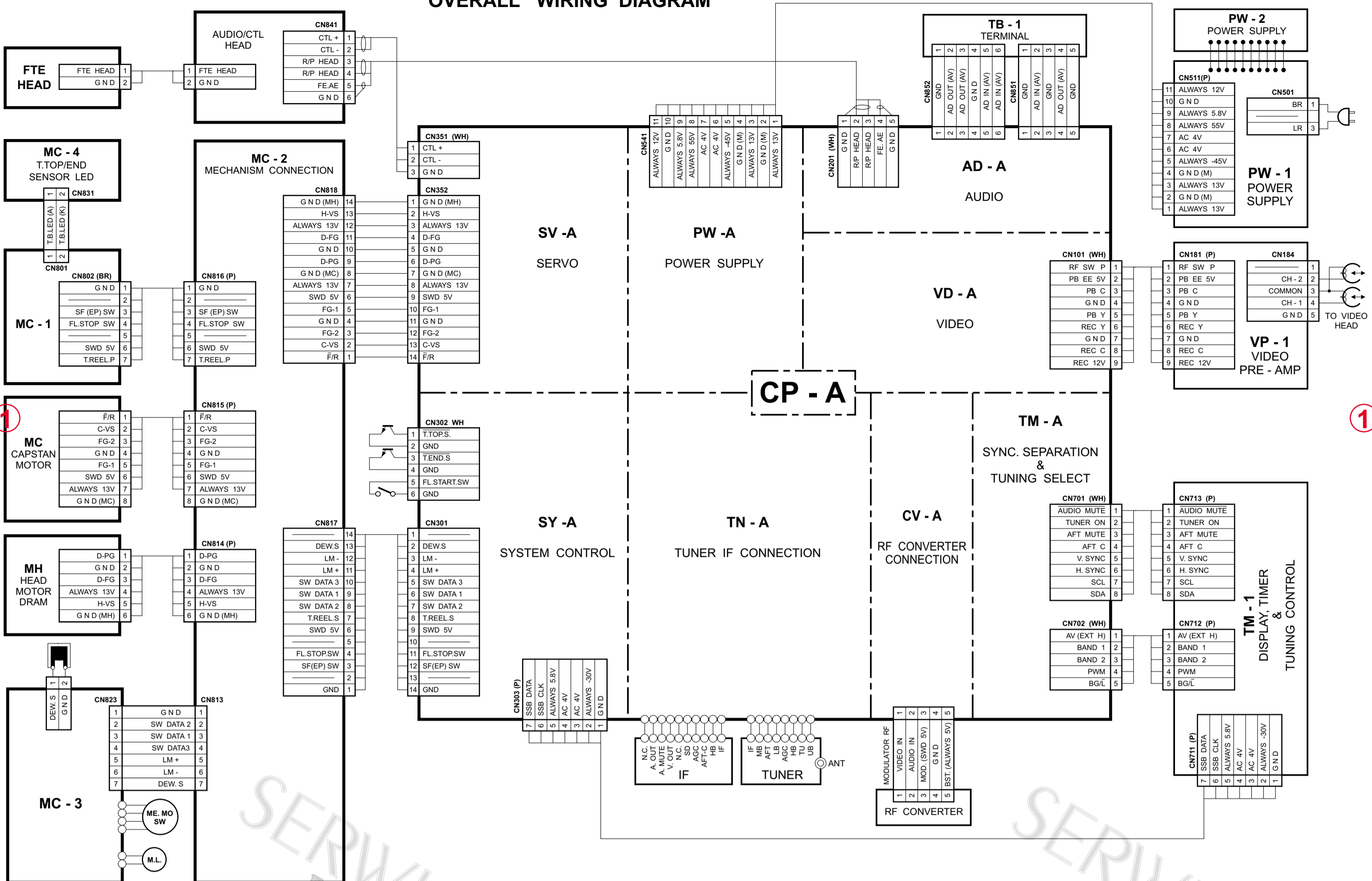
CN541	
ALWAYS 12V	11
GND	10
ALWAYS 5.8V	9
ALWAYS 55V	8
AC 4V	7
AC 4V	6
ALWAYS -45V	5
GND (M)	4
ALWAYS 13V	3
GND (M)	2
ALWAYS 13V	1

TO PW-1 CN511

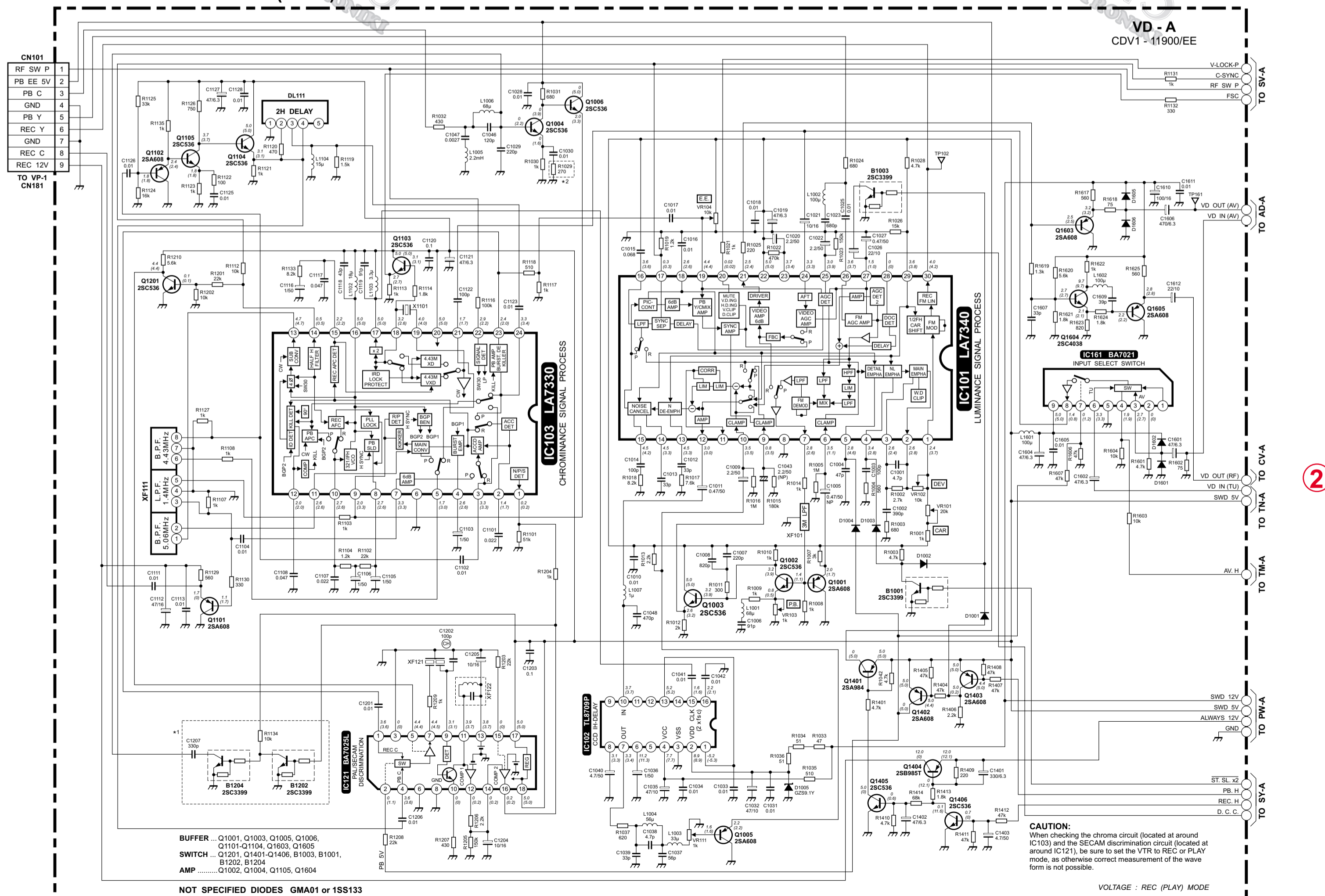
B

VCR Sanyo VHR5100EE

OVERALL WIRING DIAGRAM

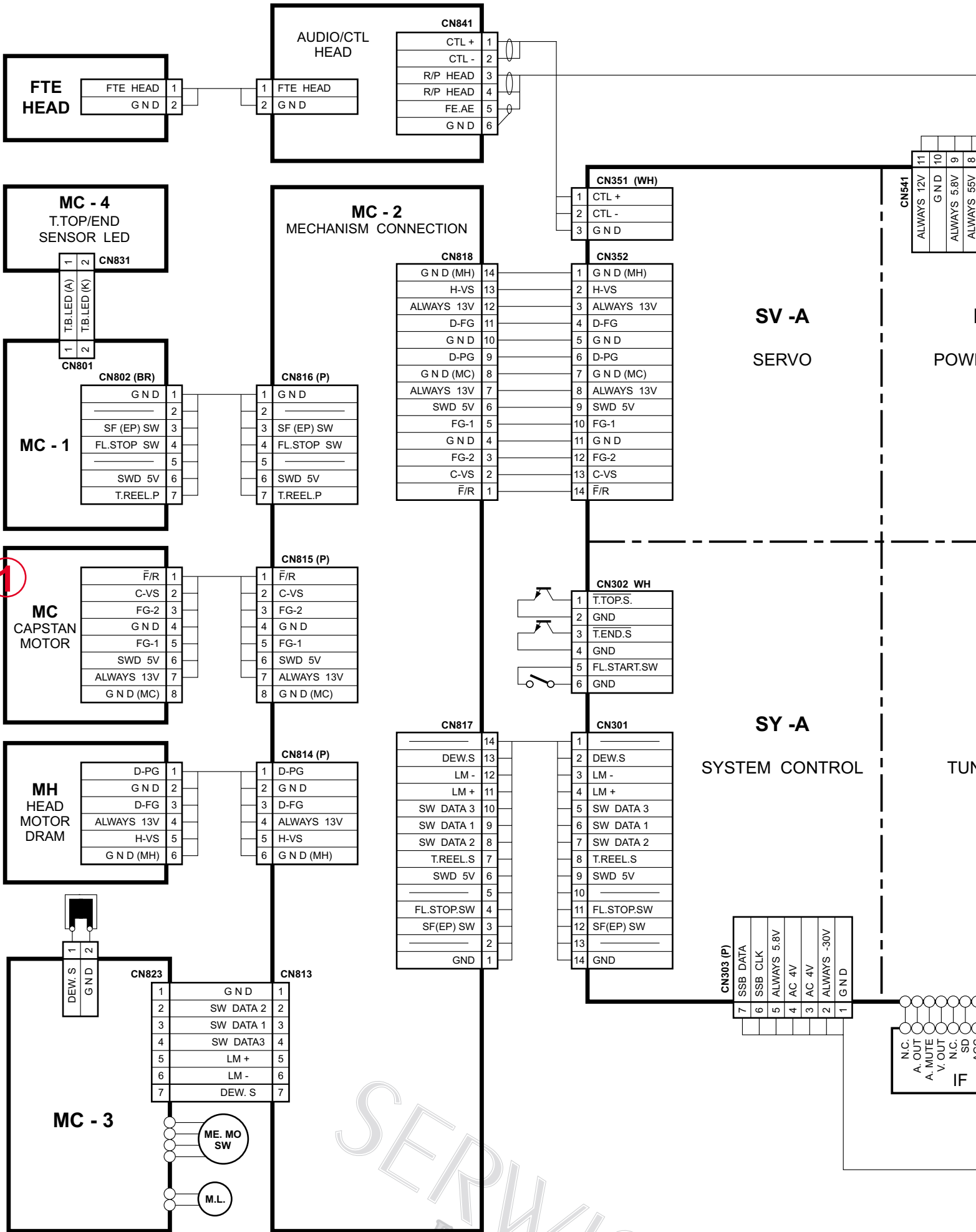


COMPL. CP-1 (VD-A) VIDEO CIRCUIT DIAGRAM

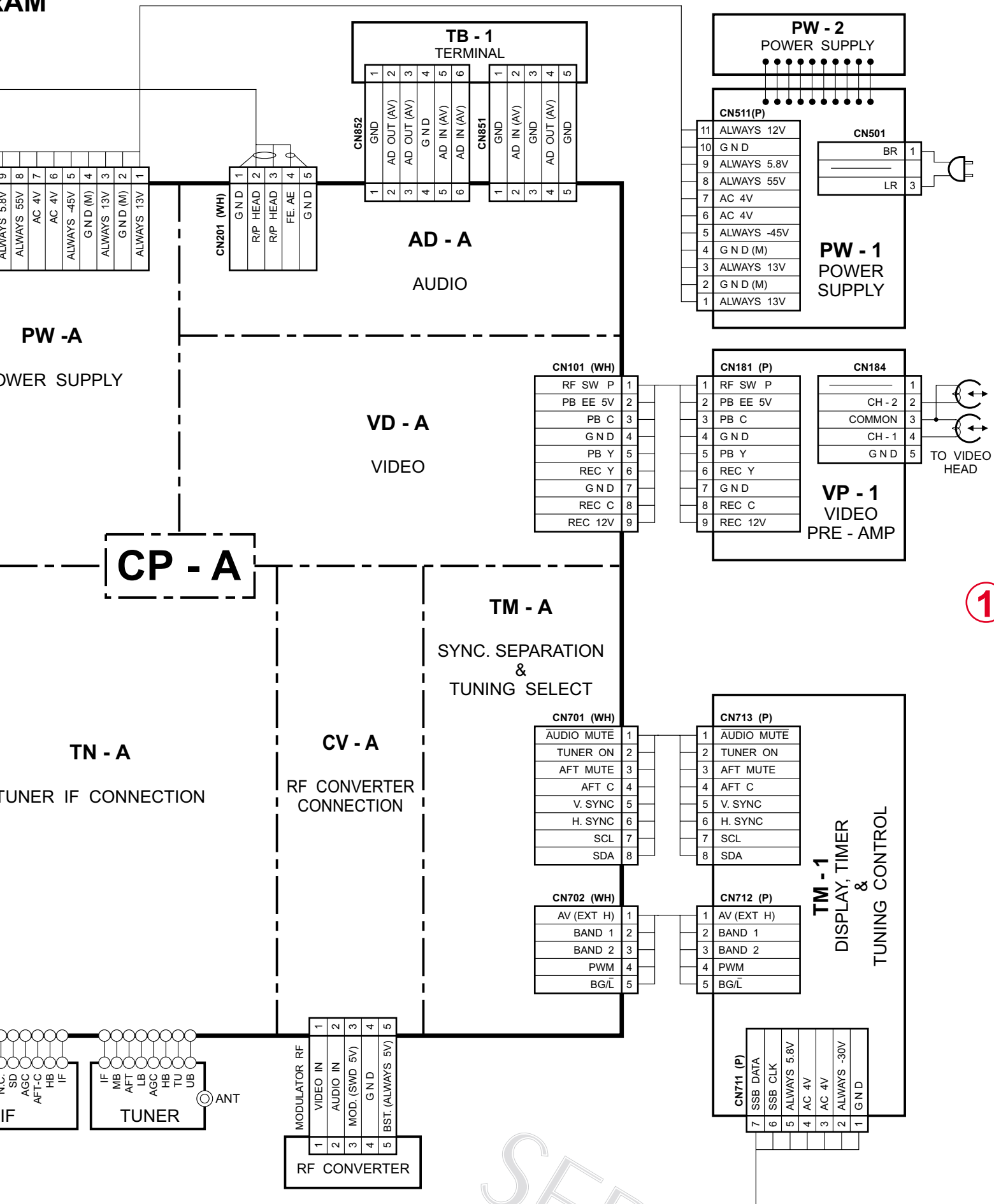


VCR Sanyo VHR5100EE

OVERALL WIRING DIAGRAM



RAM



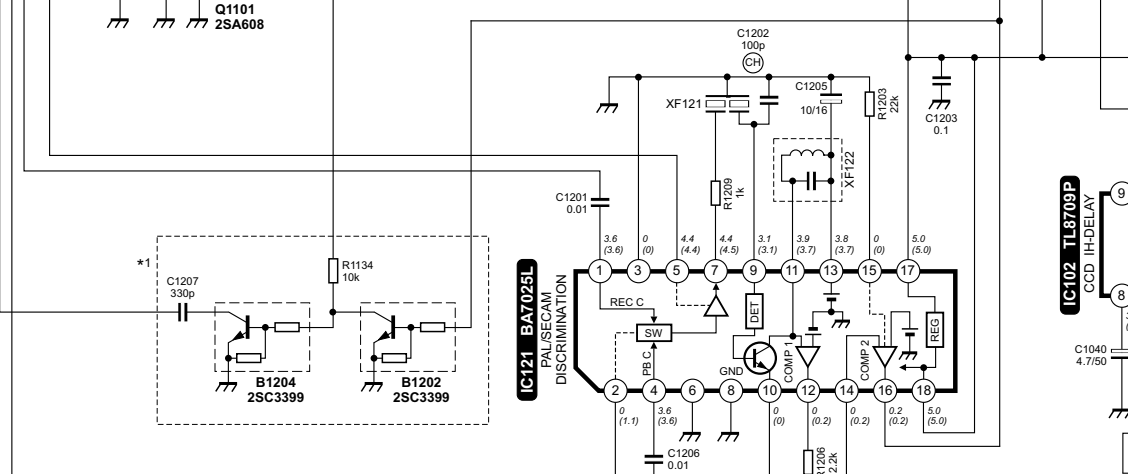
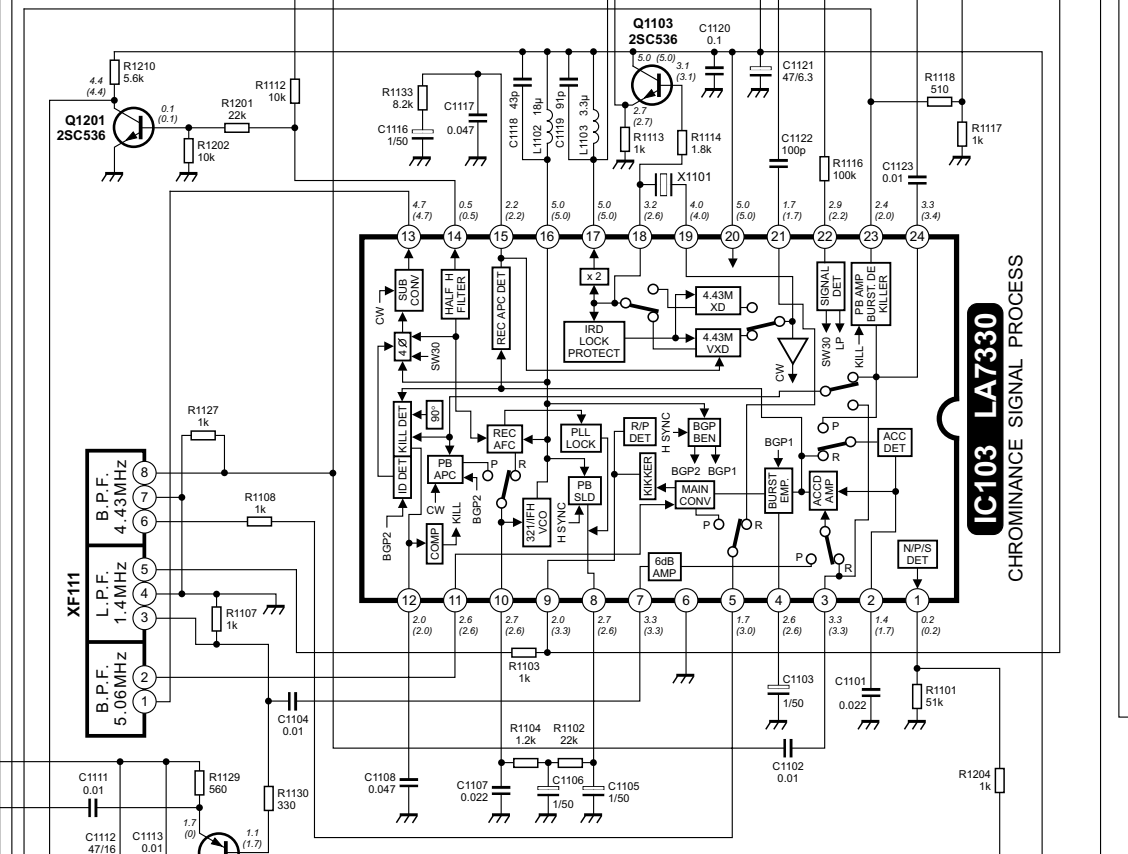
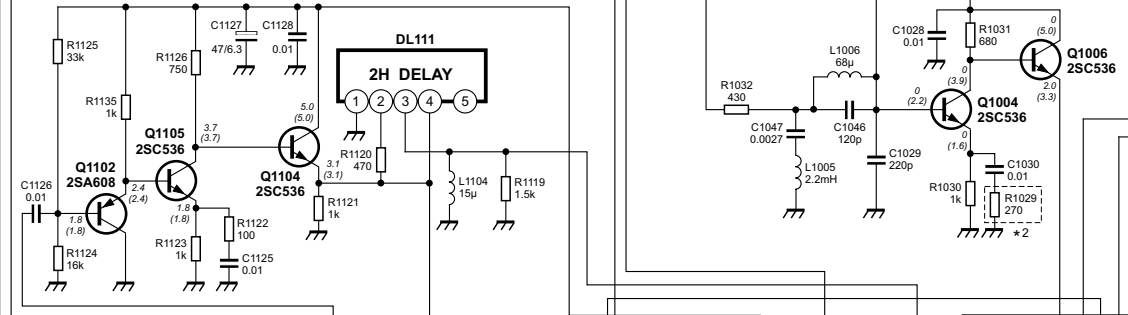
1

SERWISOWICZ
ELEKTRONIKA

COMPL. CP-1 (VD-A) VIDEO CIRCUIT DIAGRAM

CN101	
RF SW P	1
PB EE 5V	2
PB C	3
GND	4
PB Y	5
REC Y	6
GND	7
REC C	8
REC 12V	9

TO VP-1
CN181



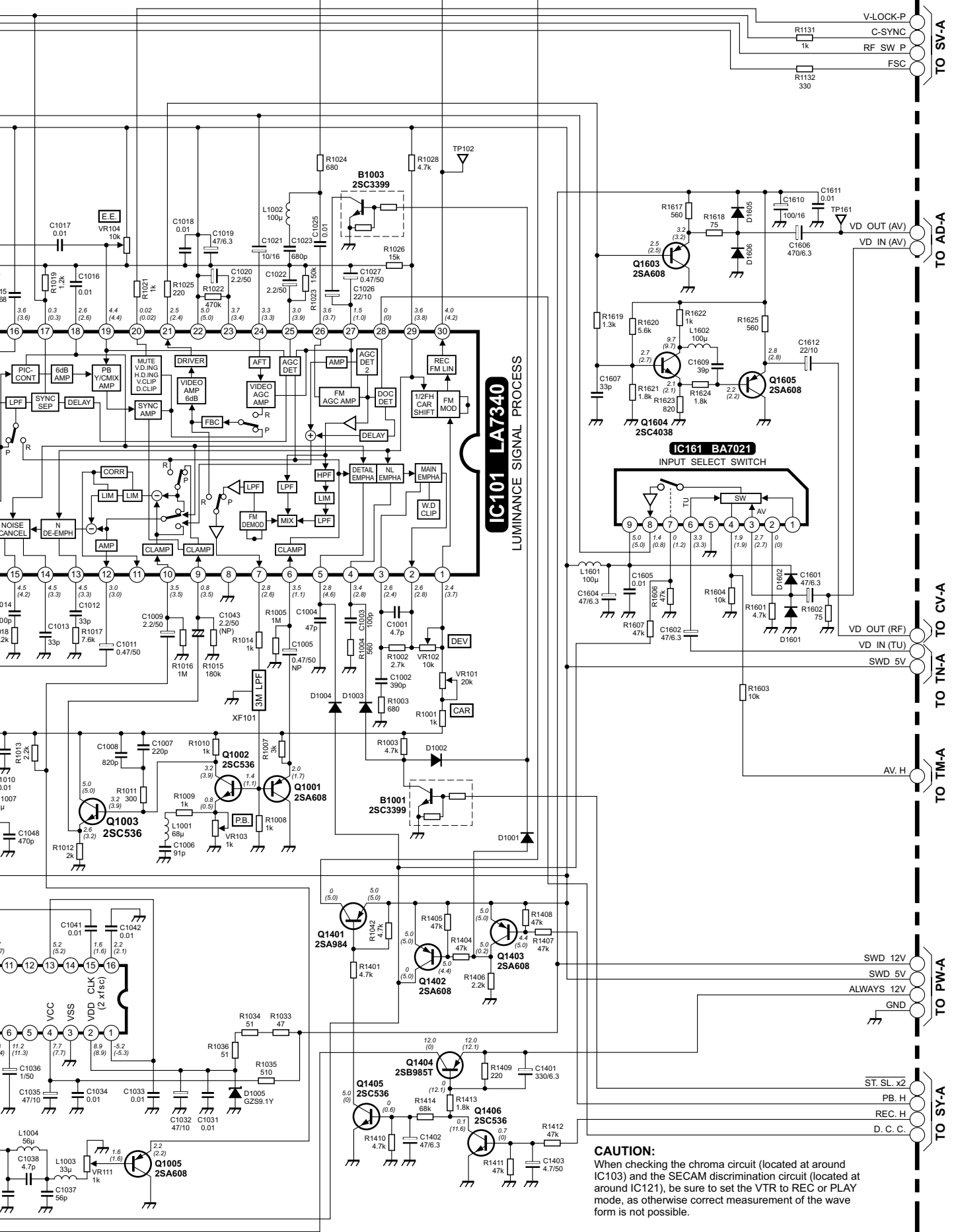
- BUFFER** ... Q1001, Q1003, Q1005, Q1006, Q1101-Q1104, Q1603, Q1605
- SWITCH** ... Q1201, Q1401-Q1406, B1003, B1001, B1202, B1204
- AMP** Q1002, Q1004, Q1105, Q1604

NOT SPECIFIED DIODES GMA01 or 1SS133

2



VD - A
CDV1 - 11900/EE



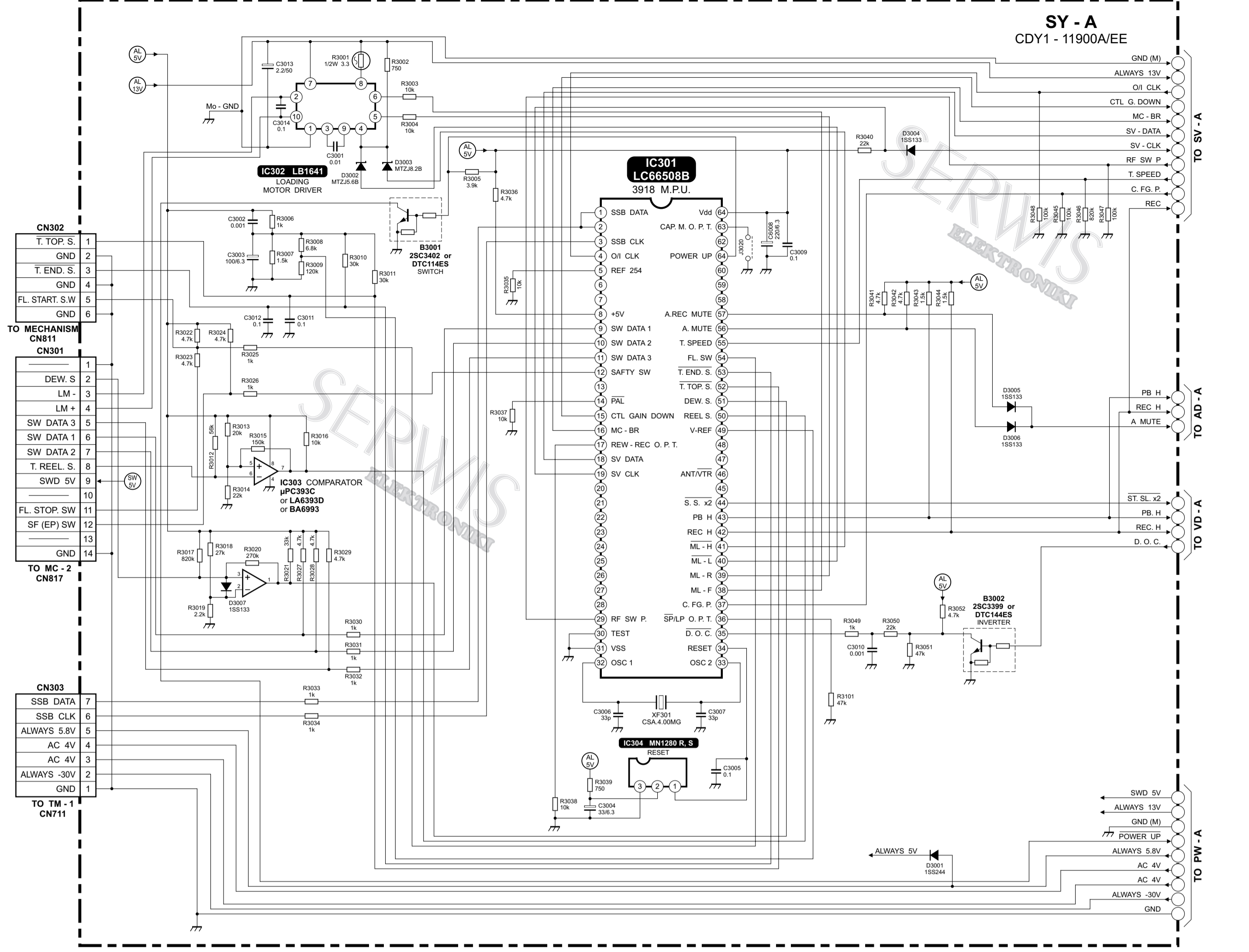
2

CAUTION:
When checking the chroma circuit (located at around IC103) and the SECAM discrimination circuit (located at around IC121), be sure to set the VTR to REC or PLAY mode, as otherwise correct measurement of the wave form is not possible.

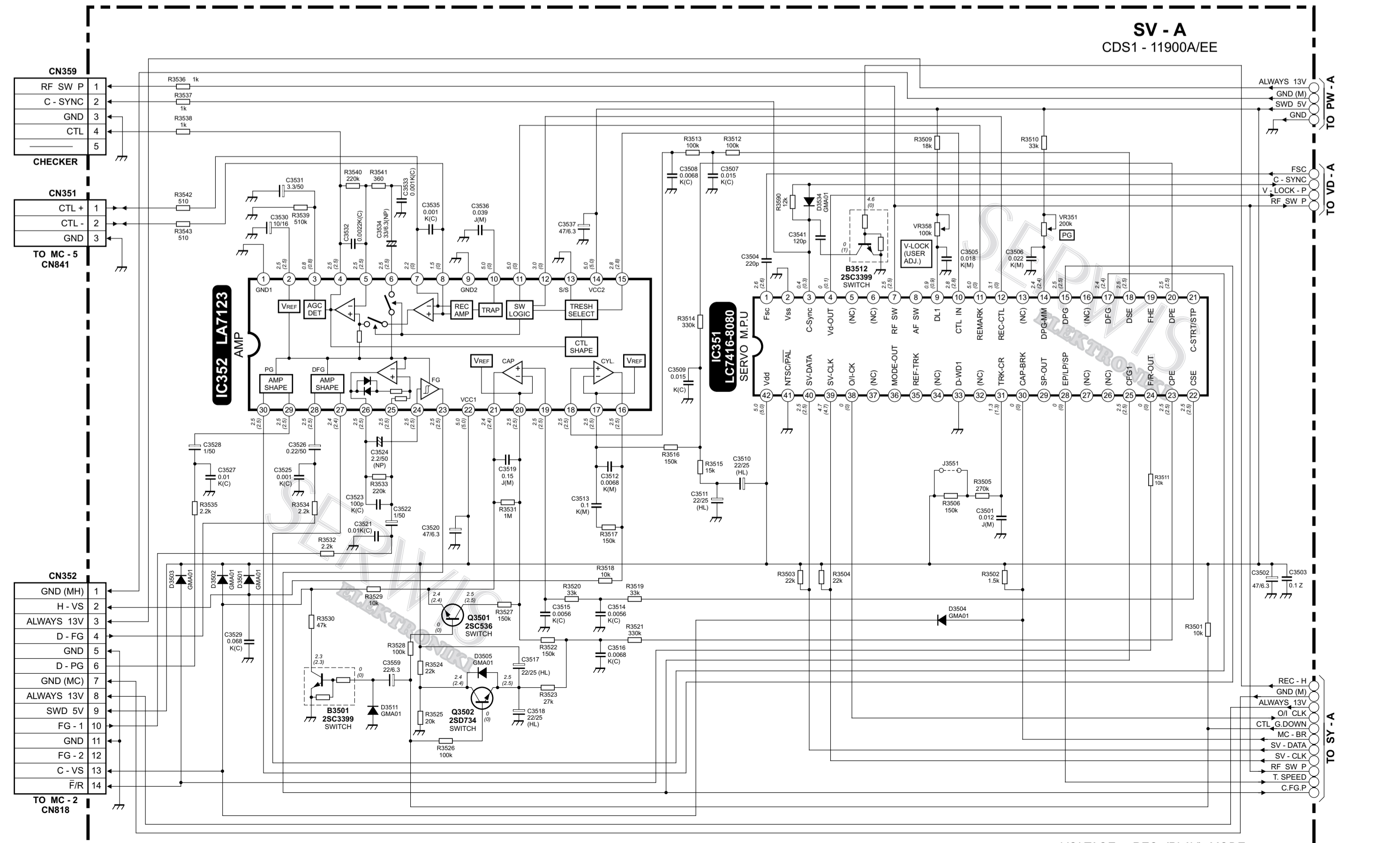
VOLTAGE : REC (PLAY) MODE

VCR Sanyo VHR5100EE

COMPL. CP - A (SY - A) SYSTEM CONTROL CIRCUIT DIAGRAM



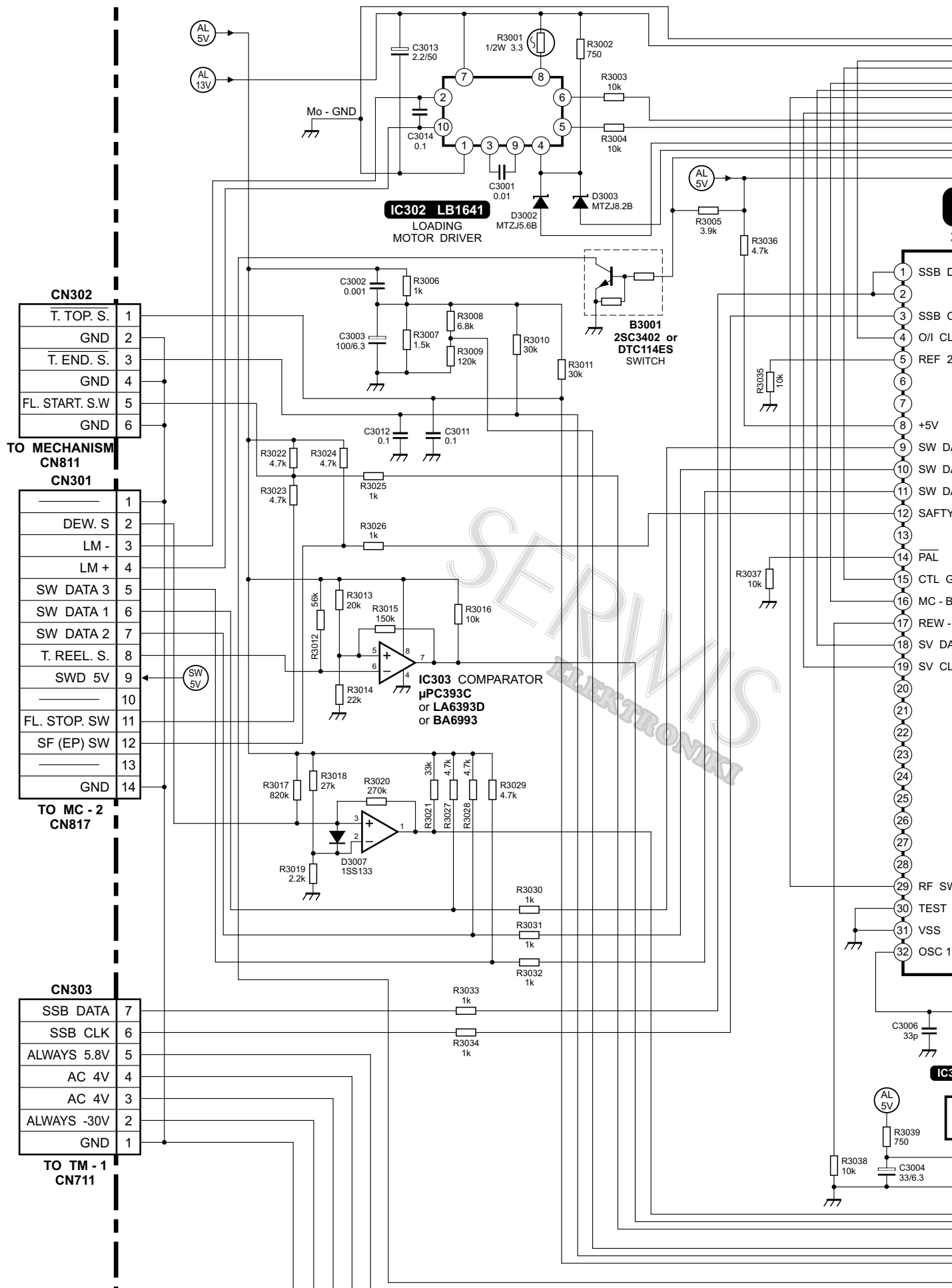
COMPL. CP - A (SV - A) SERVO CIRCUIT DIAGRAM



VOLTAGE : REC (PLAY) MODE

VCR Sanyo VHR5100EE

COMPL. CP - A (SY - A) SYSTEM CONTROL CIRCUIT



CN302

T. TOP. S.	1
GND	2
T. END. S.	3
GND	4
FL. START. S.W	5
GND	6

TO MECHANISM
CN811

CN301

1	
DEW. S	2
LM -	3
LM +	4
SW DATA 3	5
SW DATA 1	6
SW DATA 2	7
T. REEL. S.	8
SWD 5V	9
10	
FL. STOP. SW	11
SF (EP) SW	12
13	
GND	14

TO MC - 2
CN817

CN303

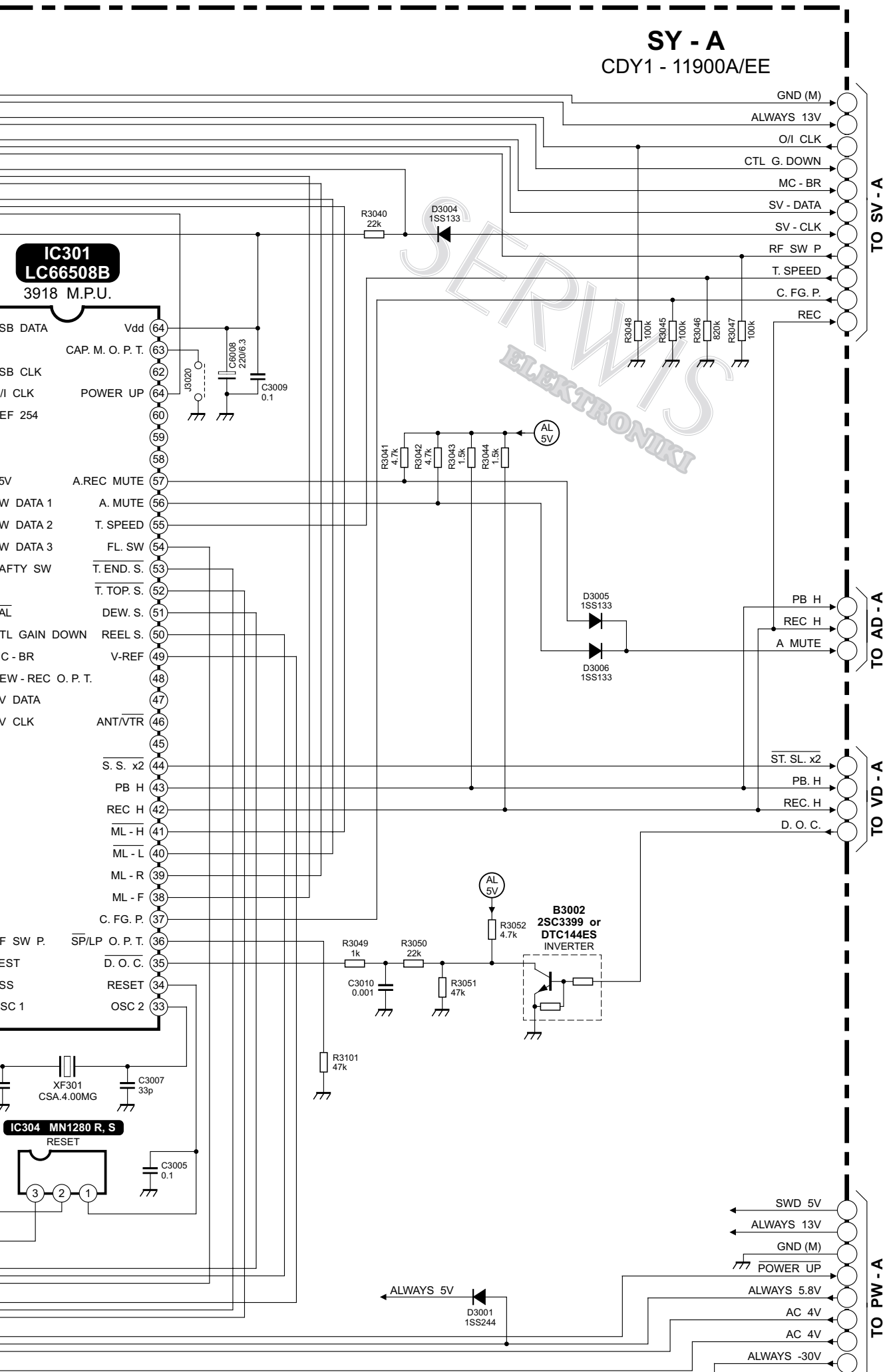
SSB DATA	7
SSB CLK	6
ALWAYS 5.8V	5
AC 4V	4
AC 4V	3
ALWAYS -30V	2
GND	1

TO TM - 1
CN711

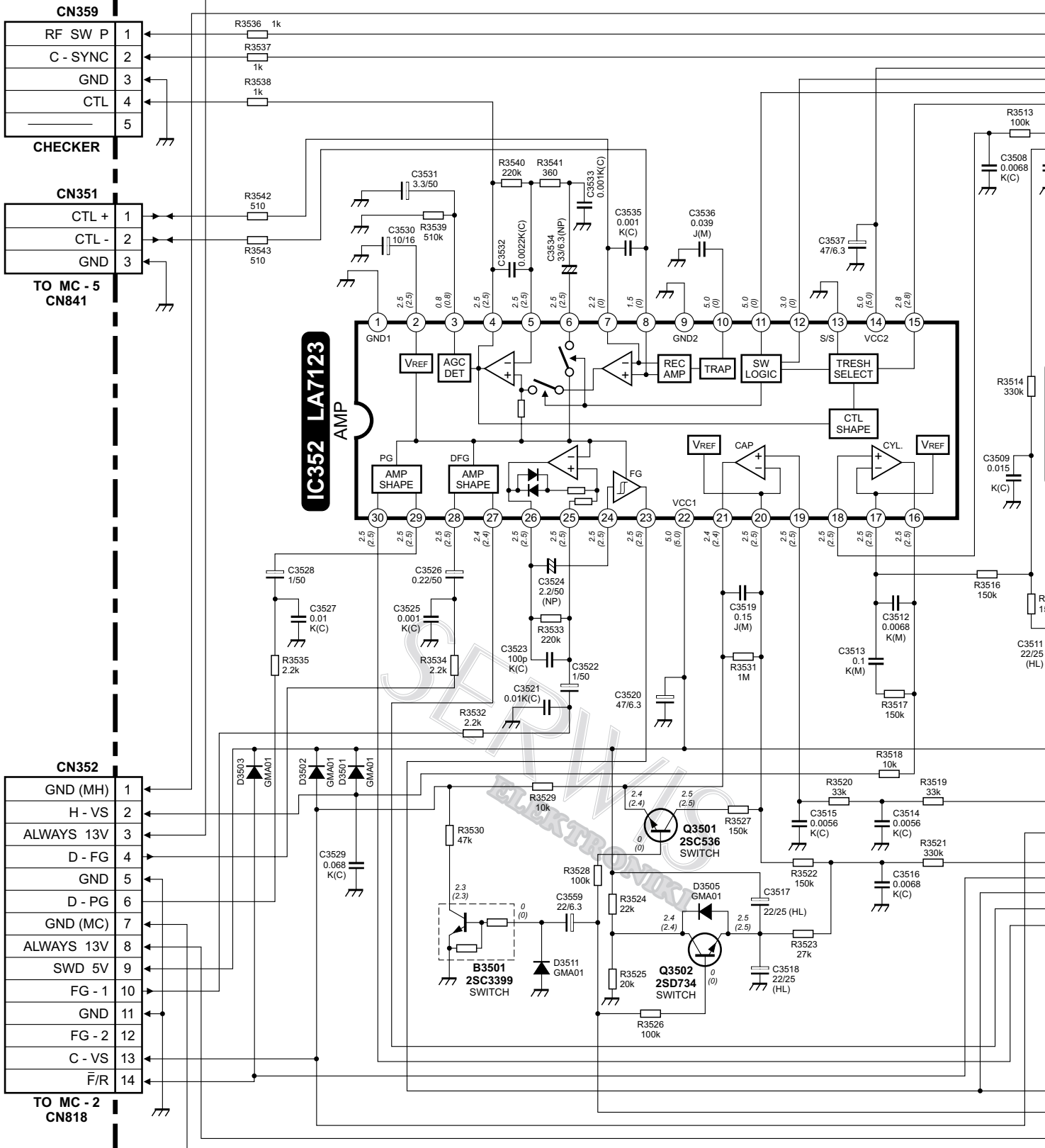
1	SSB D
2	SSB C
3	O/I CL
4	REF 2
5	
6	
7	
8	+5V
9	SW D
10	SW D
11	SW D
12	SAFTY
13	
14	PAL
15	CTL G
16	MC - B
17	REW -
18	SV DA
19	SV CL
20	
21	
22	
23	
24	
25	
26	
27	
28	
29	RF SV
30	TEST
31	VSS
32	OSC 1

1

WIRING DIAGRAM



COMPL. CP - A (SV - A) SERVO CIRCUIT DIAGRAM

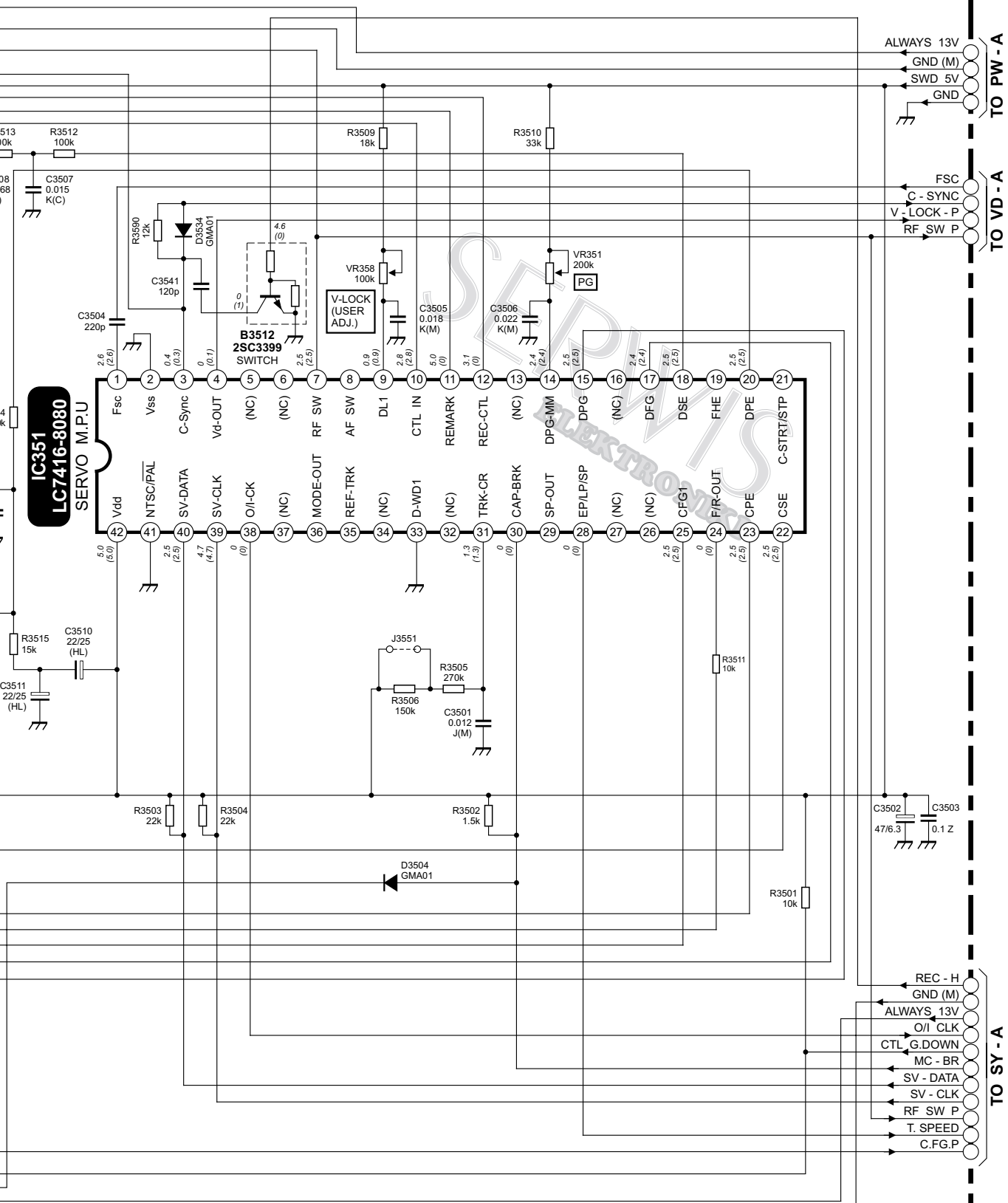


2



ALWAYS -30V
GND

SV - A CDS1 - 11900A/EE



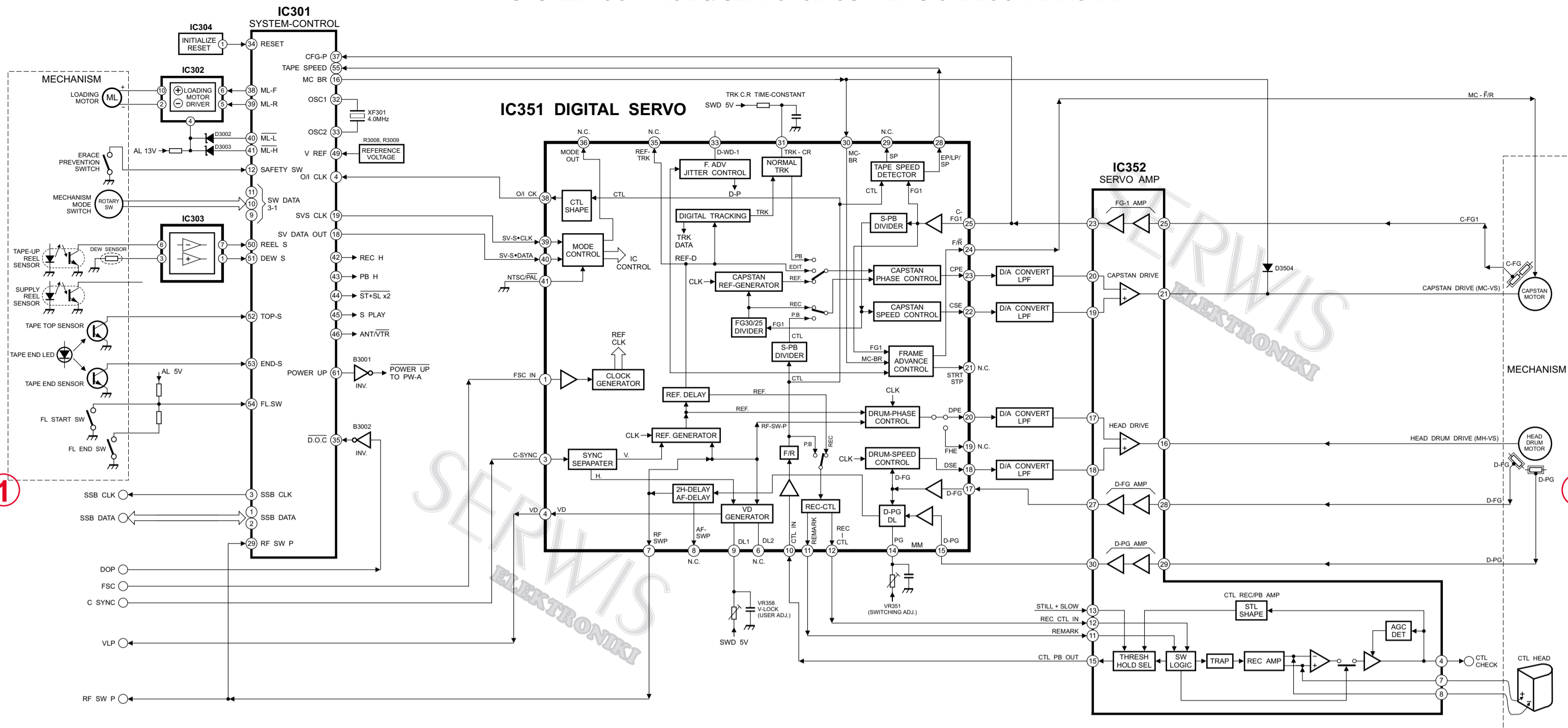
2

VOLTAGE : REC (PLAY) MODE

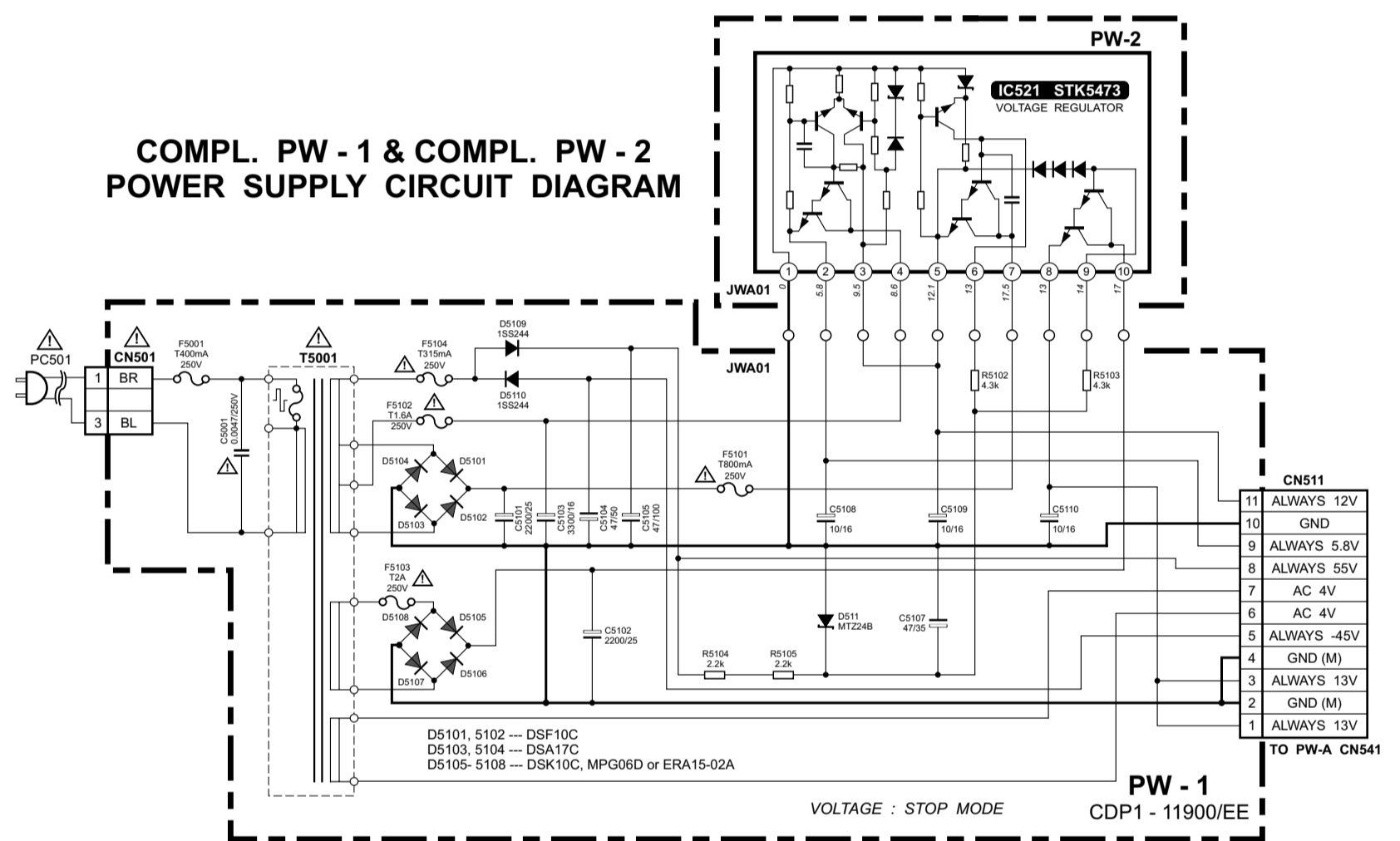
B

VCR Sanyo VHR5100EE

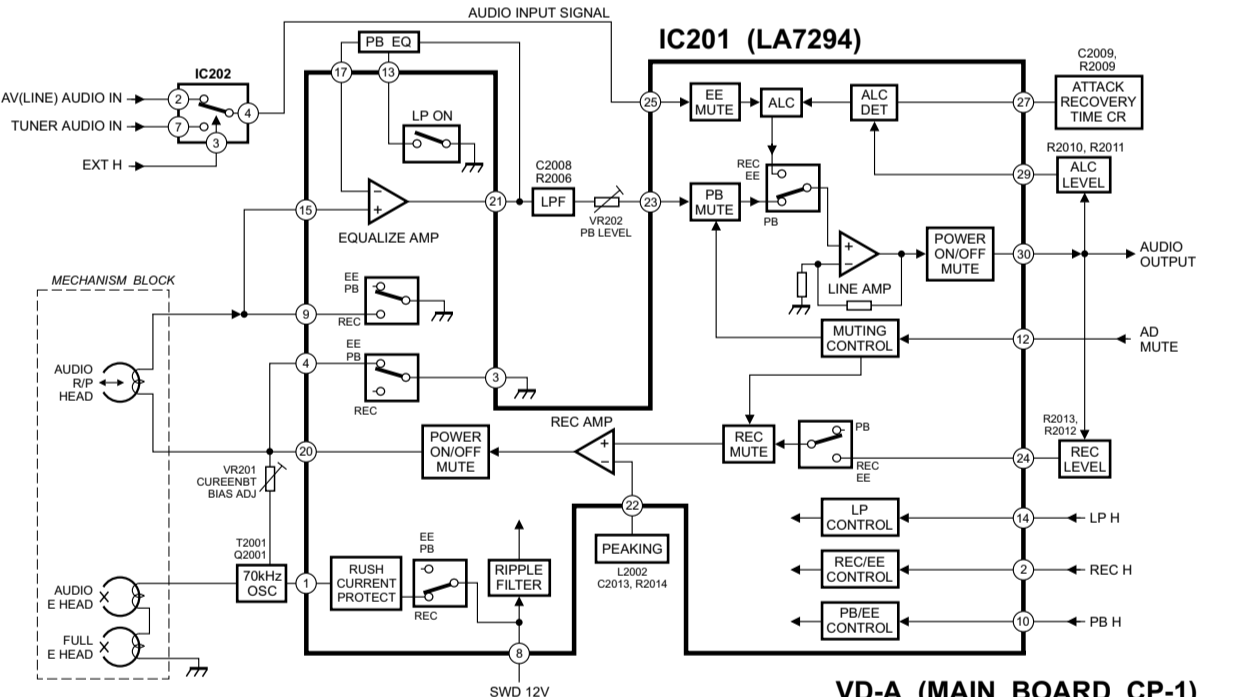
SYSTEM CONTROL & SERVO CIRCUIT BASIC BLOCK DIAGRAM



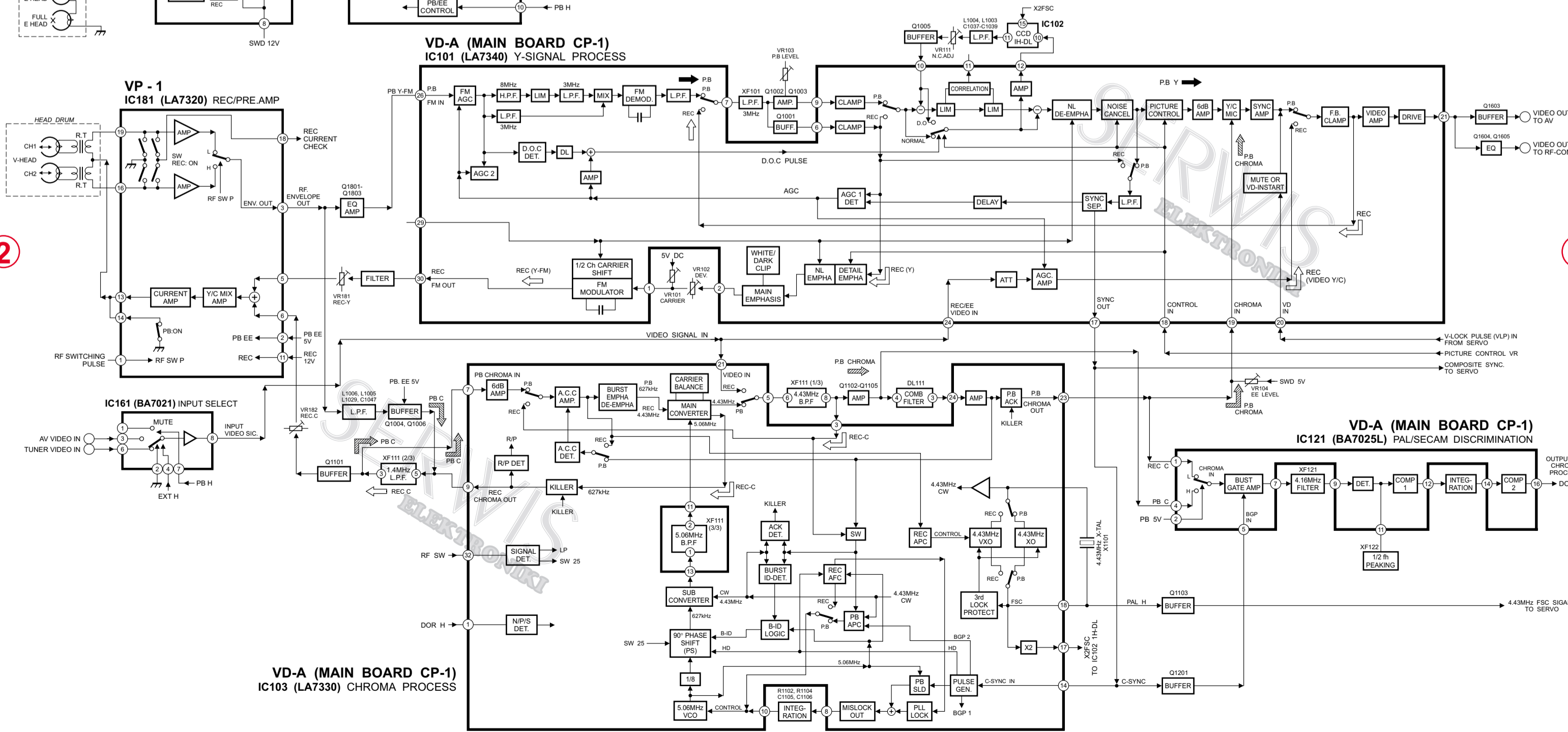
COMPL. PW - 1 & COMPL. PW - 2 POWER SUPPLY CIRCUIT DIAGRAM



AUDIO CIRCUIT BASIC BLOCK DIAGRAM

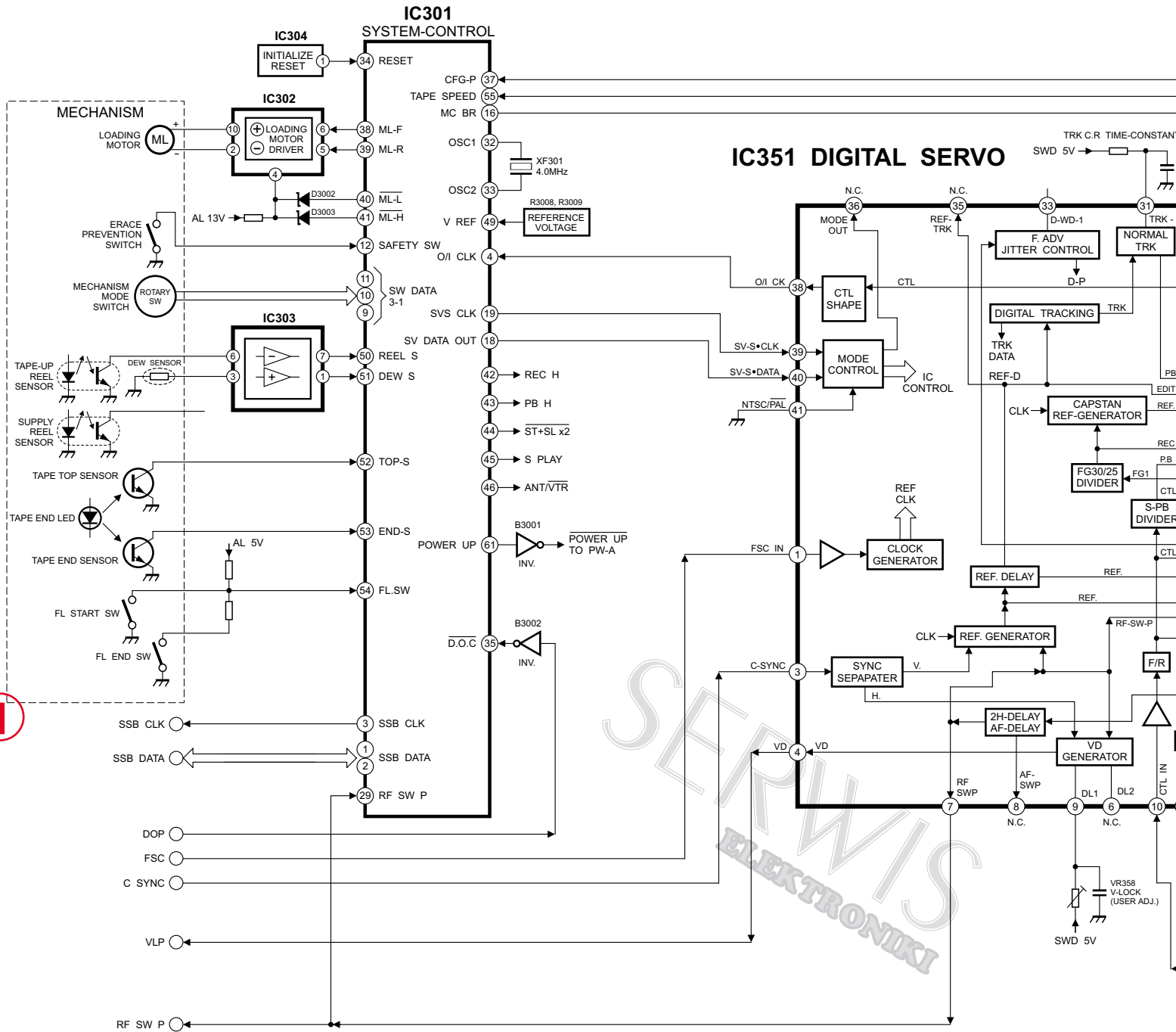


VIDEO CIRCUIT BASIC BLOCK DIAGRAM



VCR Sanyo VHR5100EE

SYSTEM CONTROL & SERVO

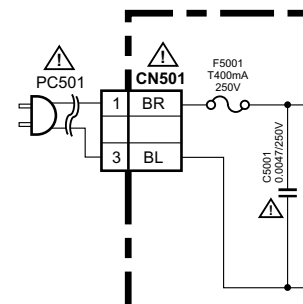


1

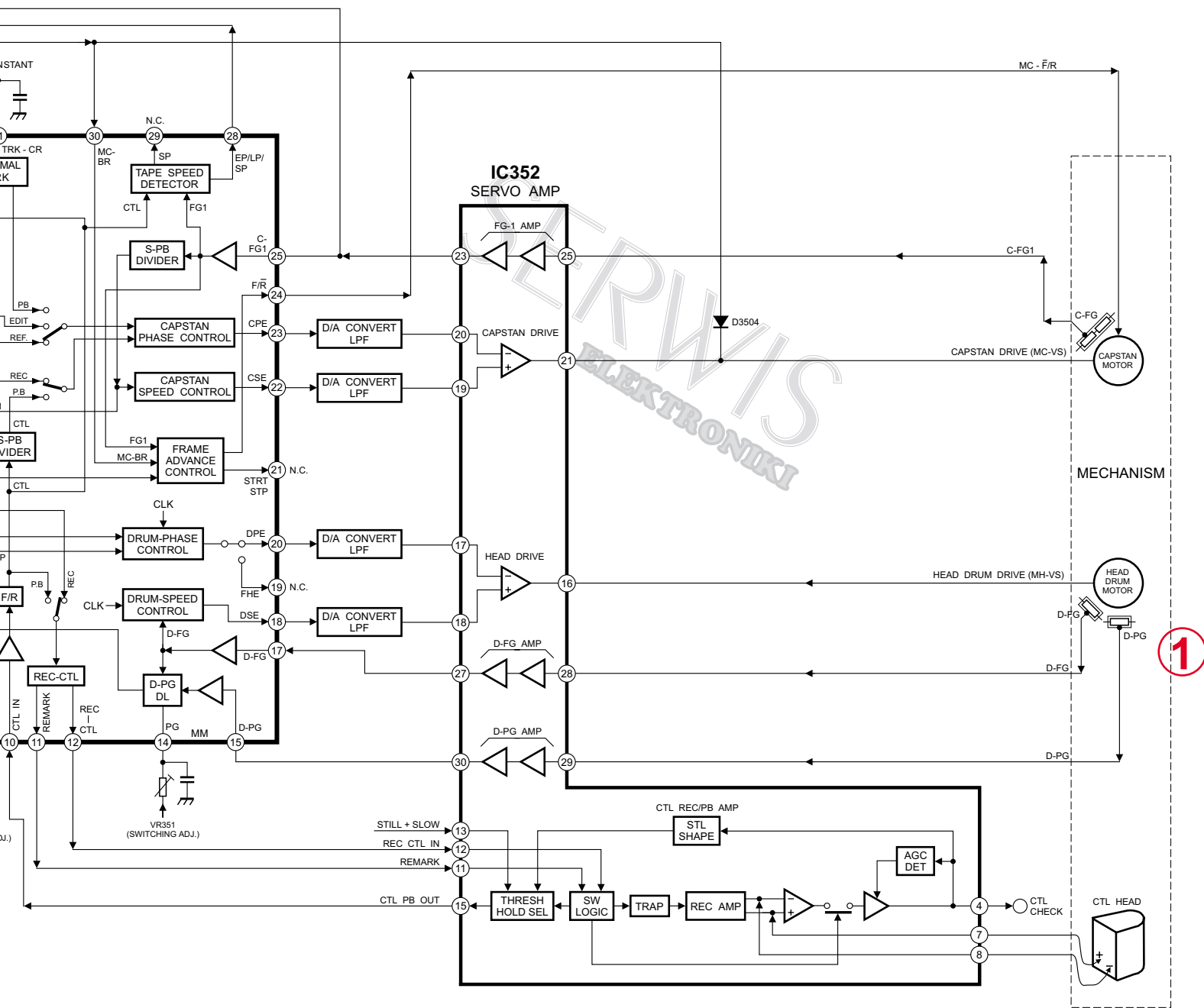
SERWIS ELEKTRONIKI

COMPL. POWER S

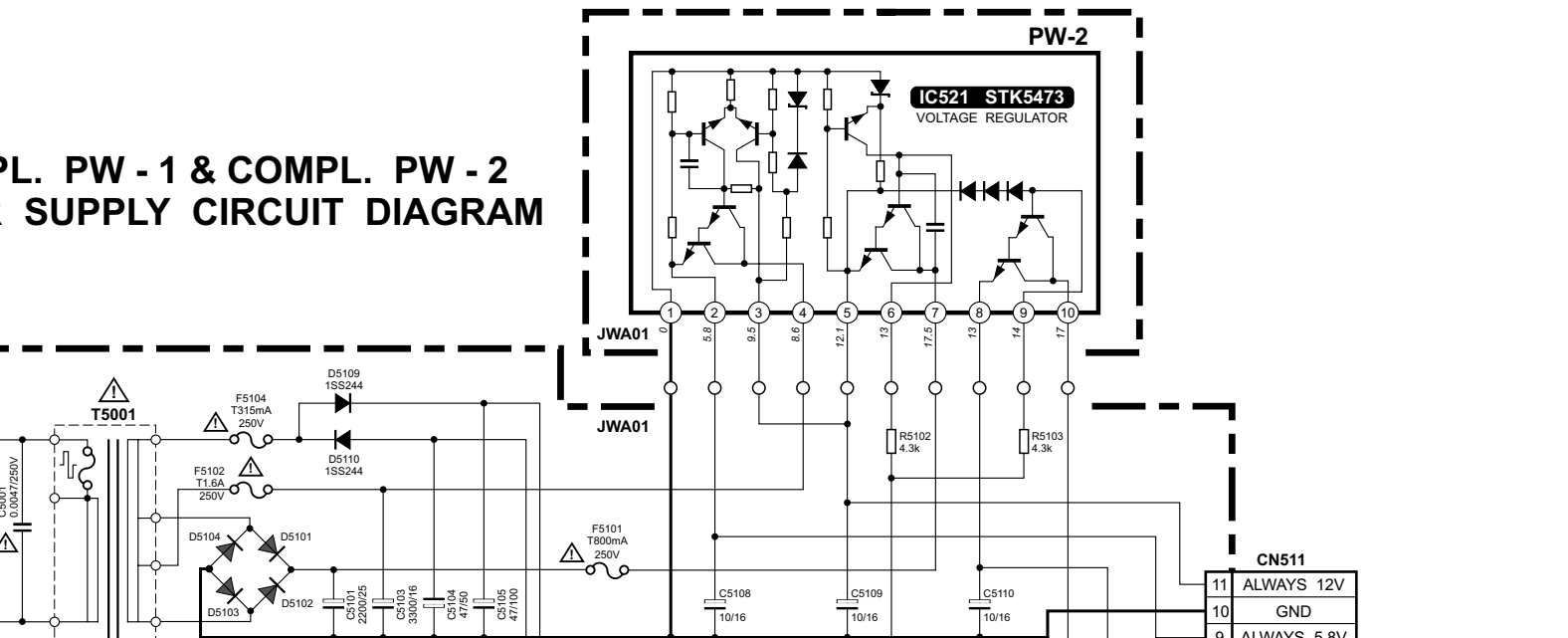
AUDIO CIRCUIT BASIC BLOCK DIAGRAM



CIRCUIT BASIC BLOCK DIAGRAM

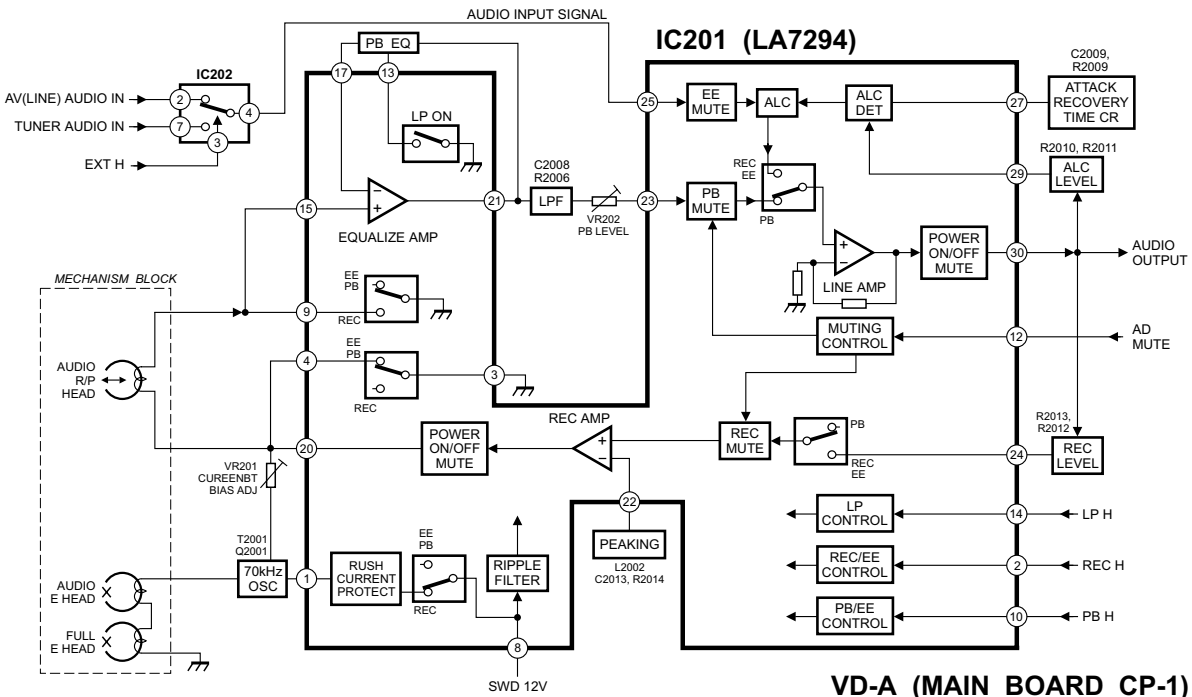


PL. PW - 1 & COMPL. PW - 2 SUPPLY CIRCUIT DIAGRAM



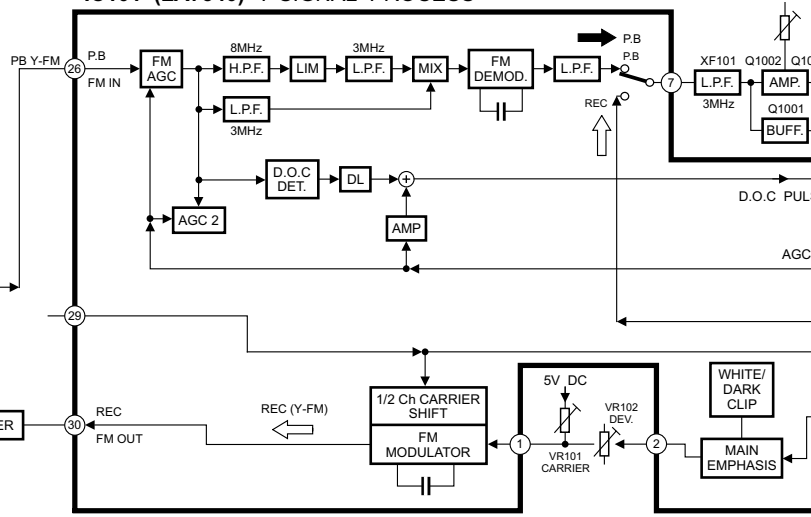
CN511	
11	ALWAYS 12V
10	GND
9	ALWAYS 5.8V

AUDIO INPUT SIGNAL

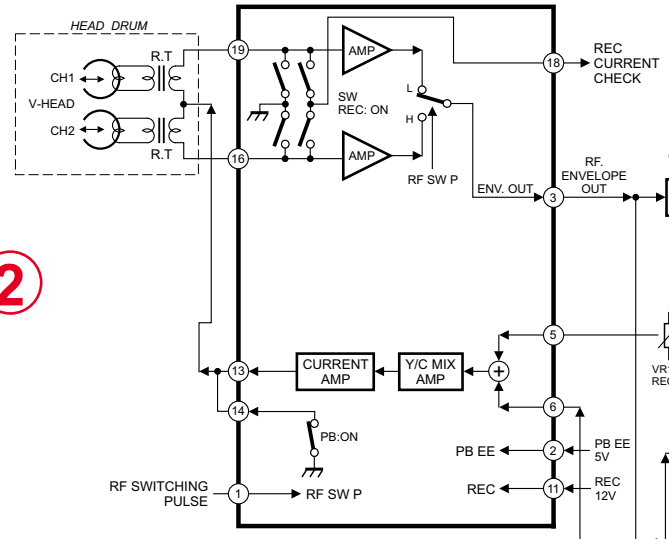


VIDEO

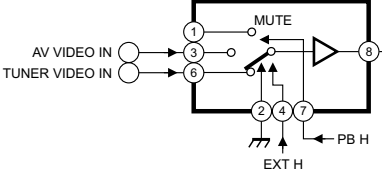
VD-A (MAIN BOARD CP-1) IC101 (LA7340) Y-SIGNAL PROCESS



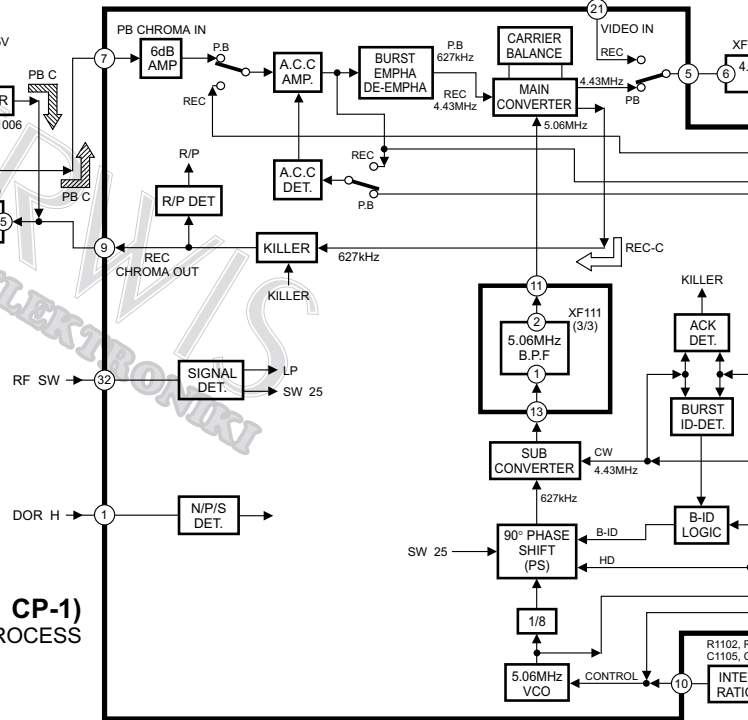
VP - 1 IC181 (LA7320) REC/PRE.AMP



IC161 (BA7021) INPUT SELECT



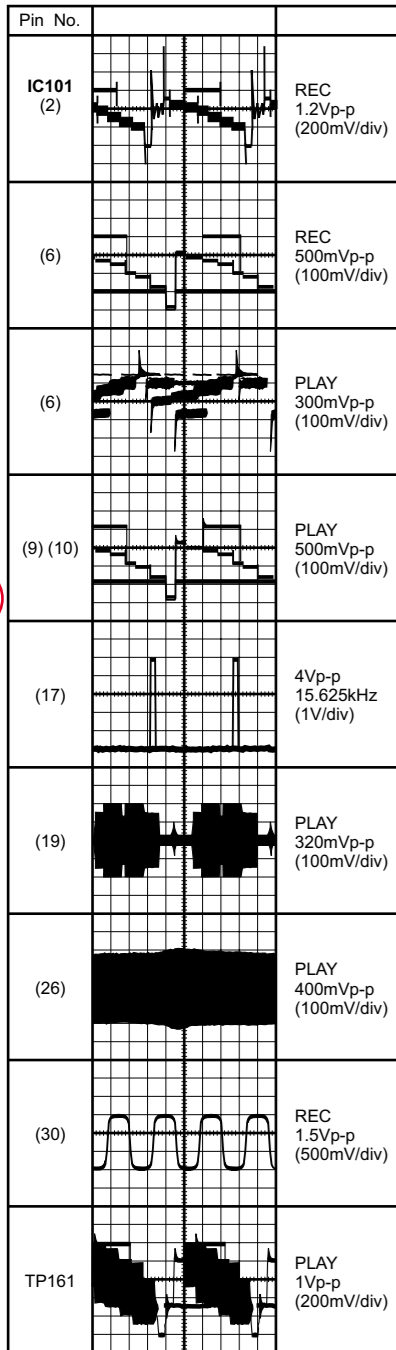
VD-A (MAIN BOARD CP-1) IC103 (LA7330) CHROMA PROCESS



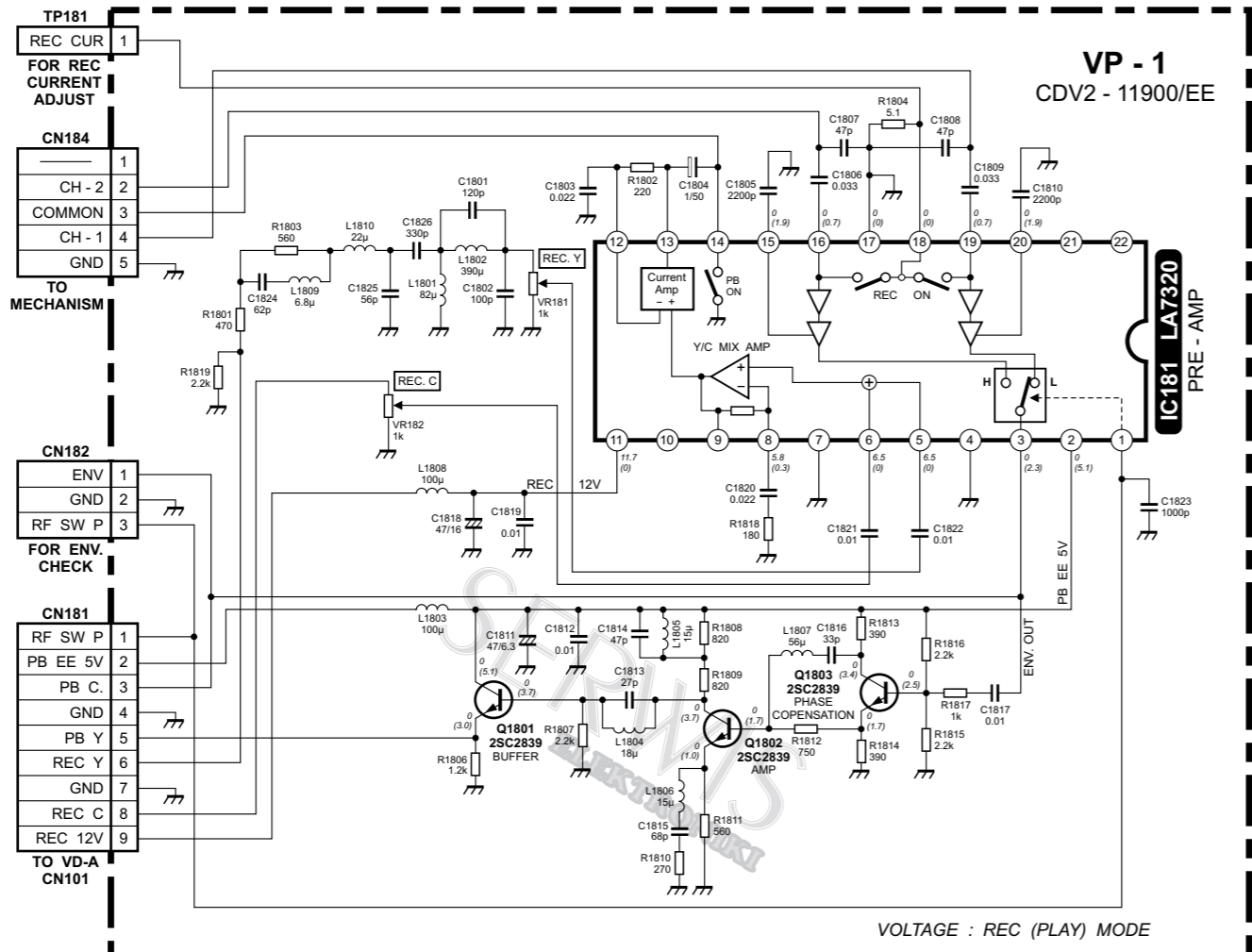
2



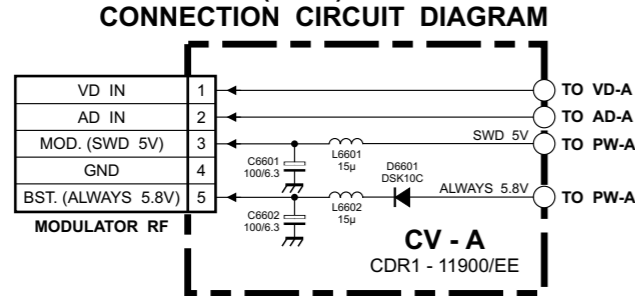
WAVEFORM OF VIDEO CIRCUIT



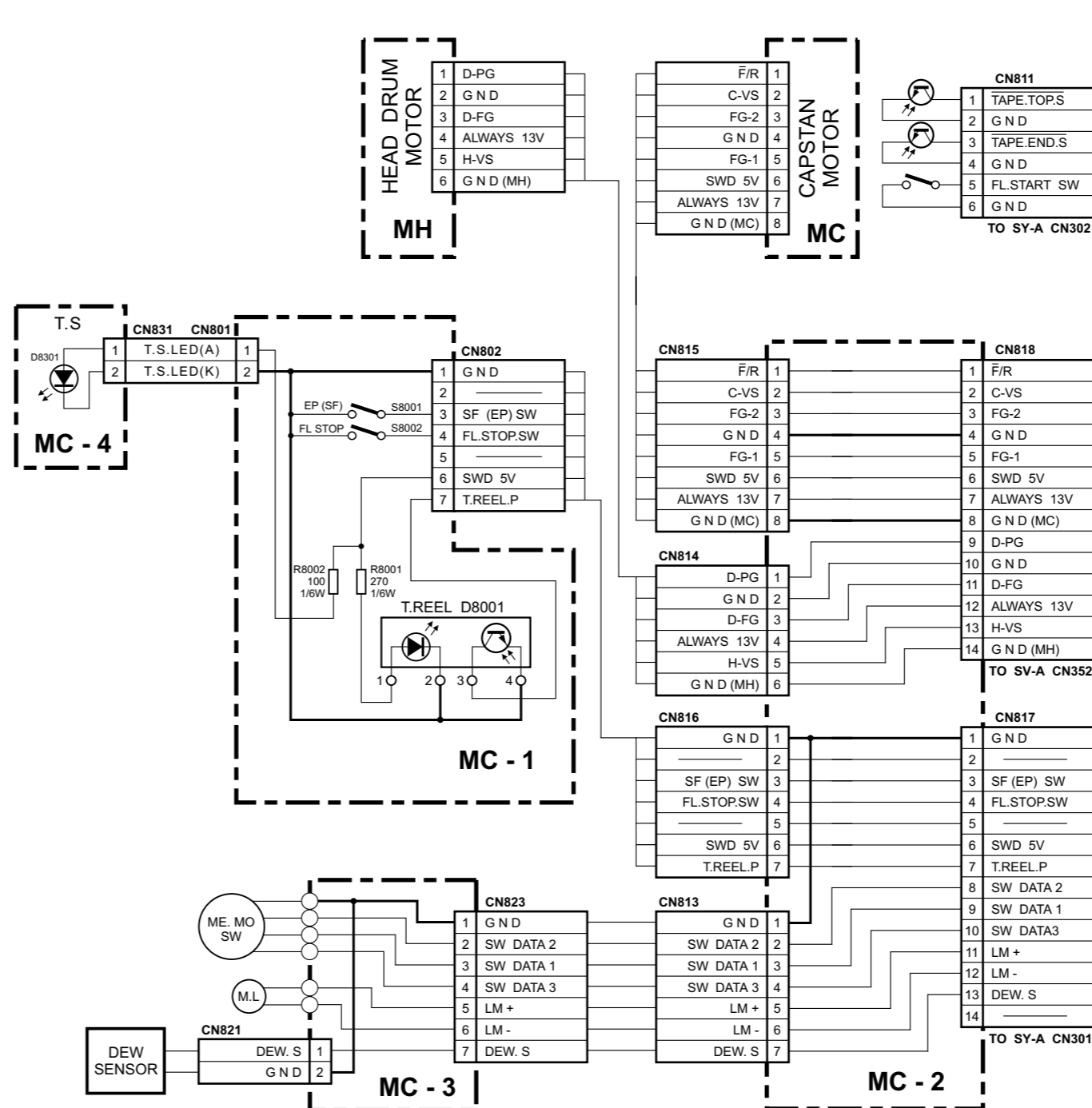
COMPL. VP - 1 VIDEO PRE - AMP CIRCUIT DIAGRAM



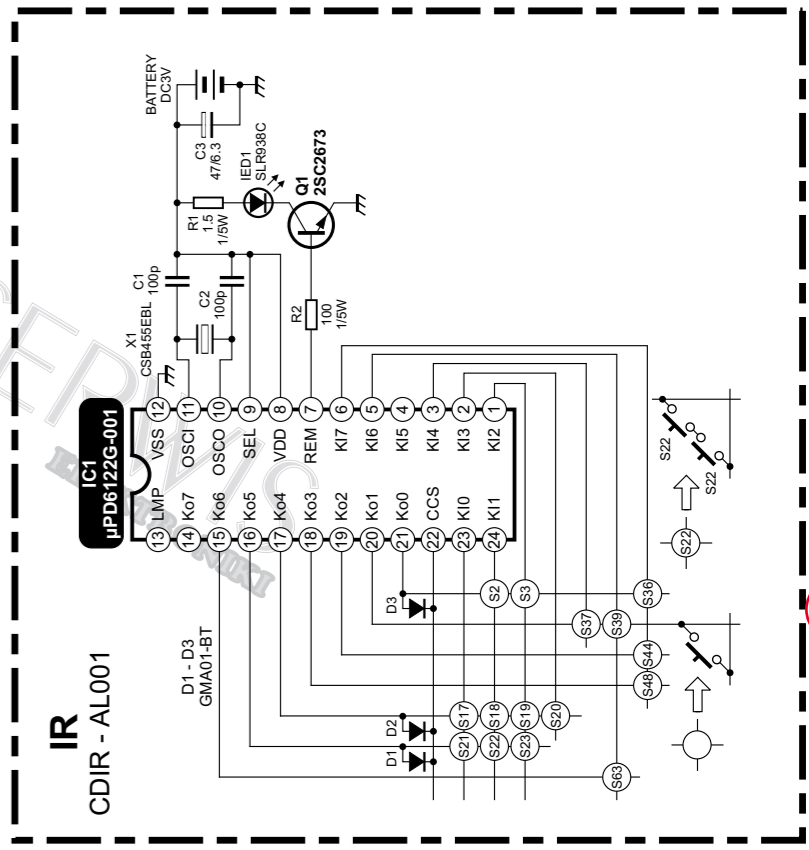
COMPL. CP-A (CV-A) RF CONVERTER CONNECTION CIRCUIT DIAGRAM



MECHANISM CONNECTION CIRCUIT DIAGRAM



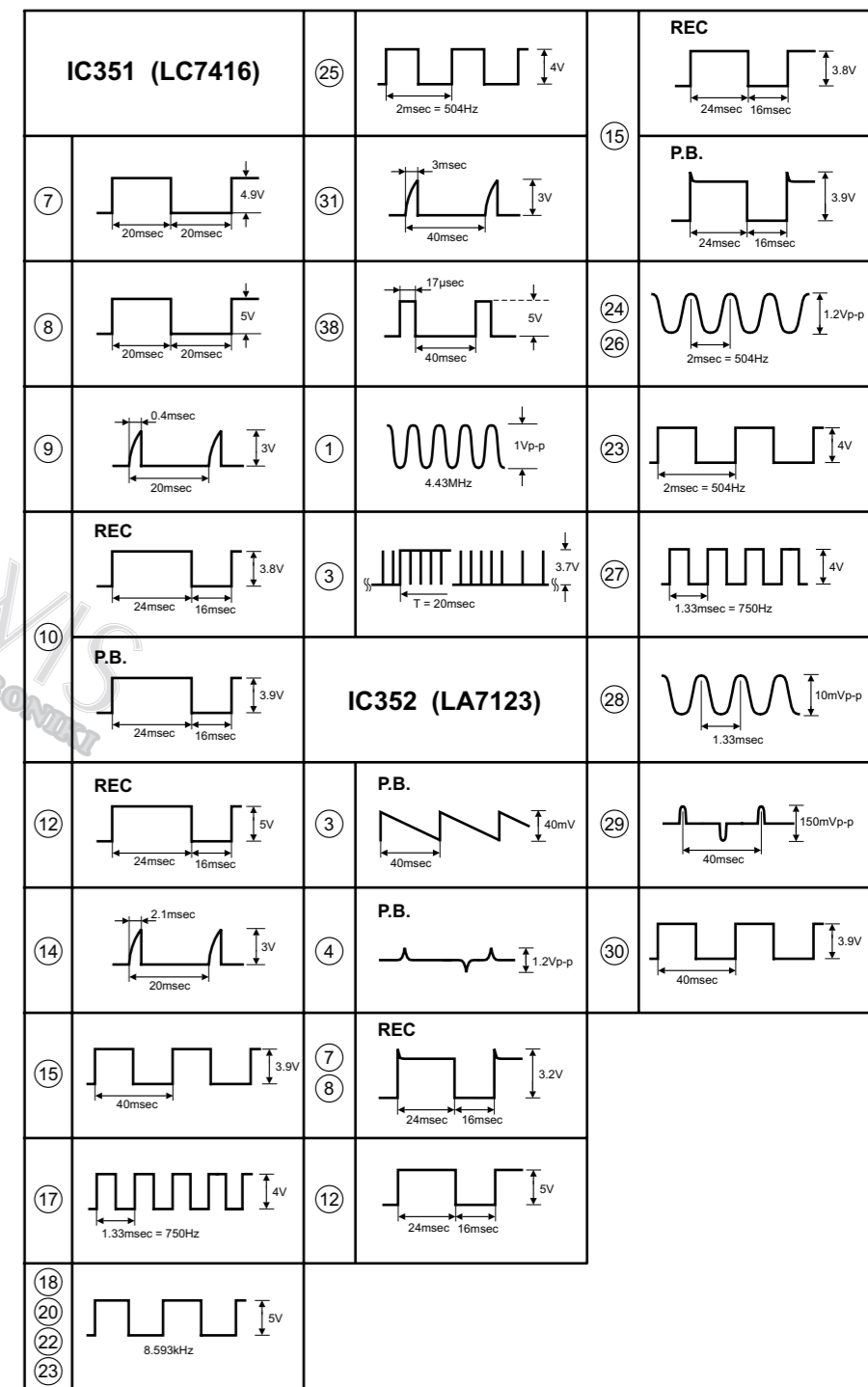
IR REMOTE CONTROL CIRCUIT DIAGRAM



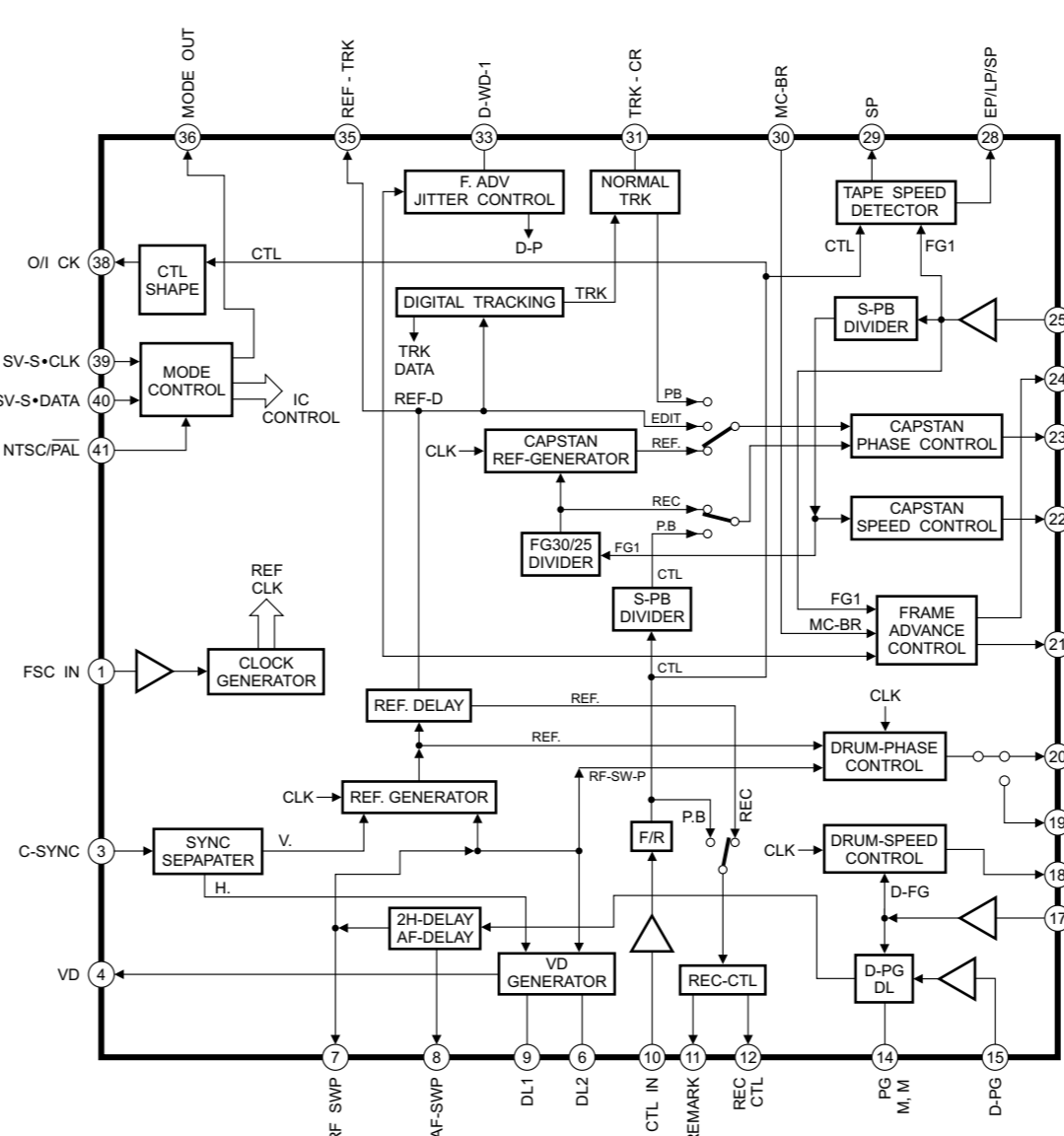
AVAILABLE KEY FUNCTION OF REMOTE CONTROL UNIT

KEY NO	FUNCTION	USE
S2	USE	USE
S3	USE	USE
S17	STOP	USE
S18	PAUSE STILL	USE
S19	FF	USE
S20	REW	USE
S21	PLAY	USE
S22	REC	USE
S23	REW-PLAY	USE
S36	MEMORY REPEAT	USE
S37	RESET	USE
S39	PROG	USE
S44	OK	USE
S48	VPS	USE
S63	SP/PLP	USE

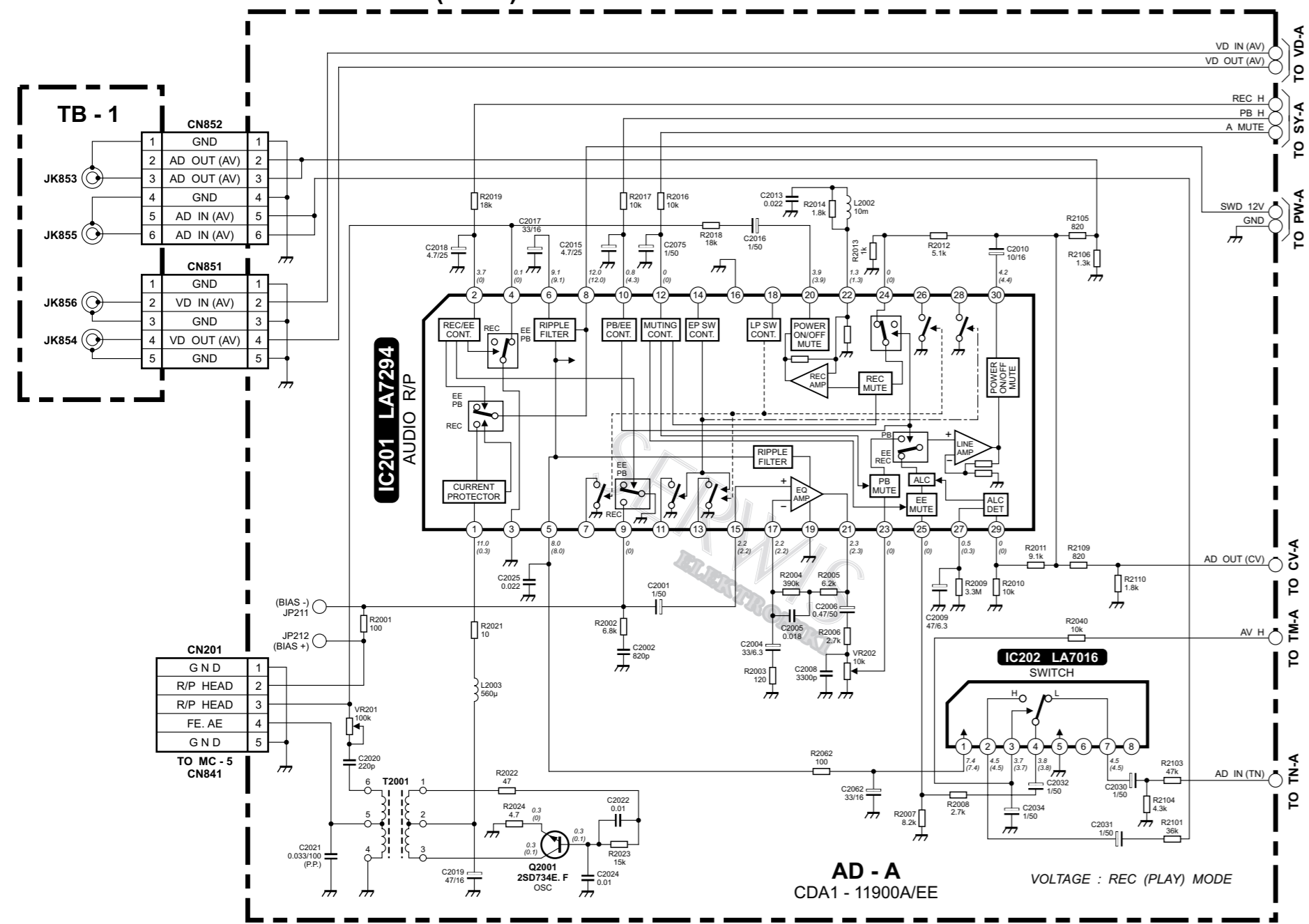
WAVEFORM OF SERVO CIRCUIT



IC351 (LC7416) DIGITAL SERVO IC INTER BLOCK DIAGRAM



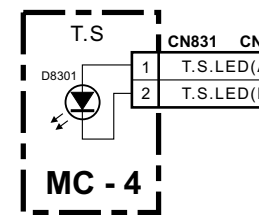
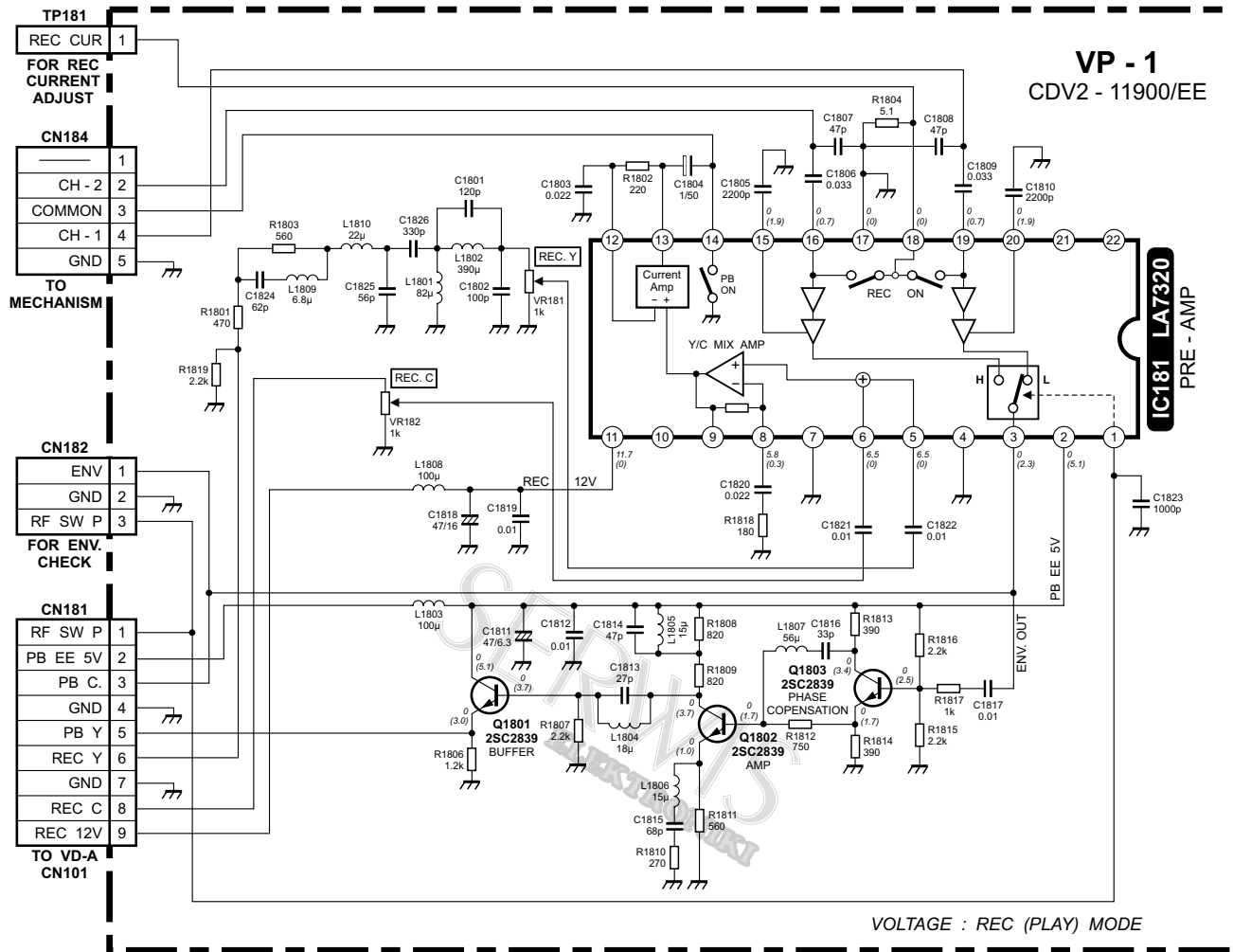
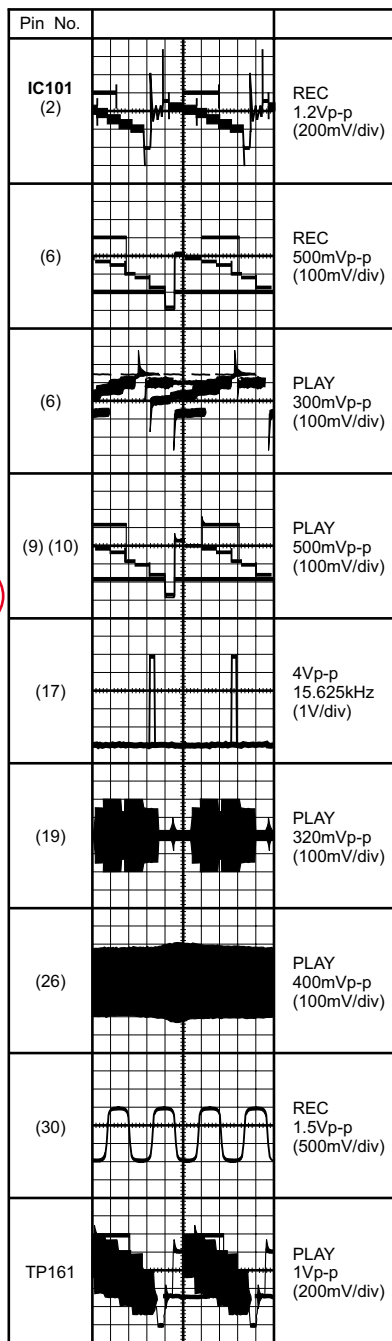
COMPL. CP-A (AD-A) AUDIO & COMPL. TB-1 TERMINAL CIRCUIT DIAGRAM



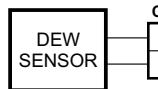
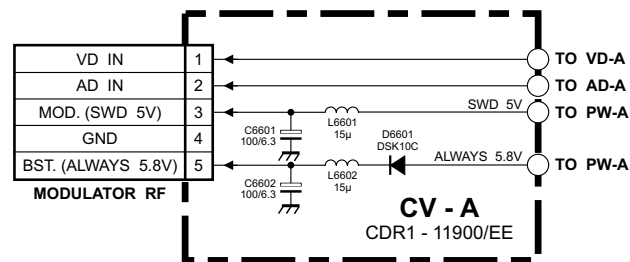
VCR Sanyo VHR5100EE

COMPL. VP - 1 VIDEO PRE - AMP CIRCUIT DIAGRAM

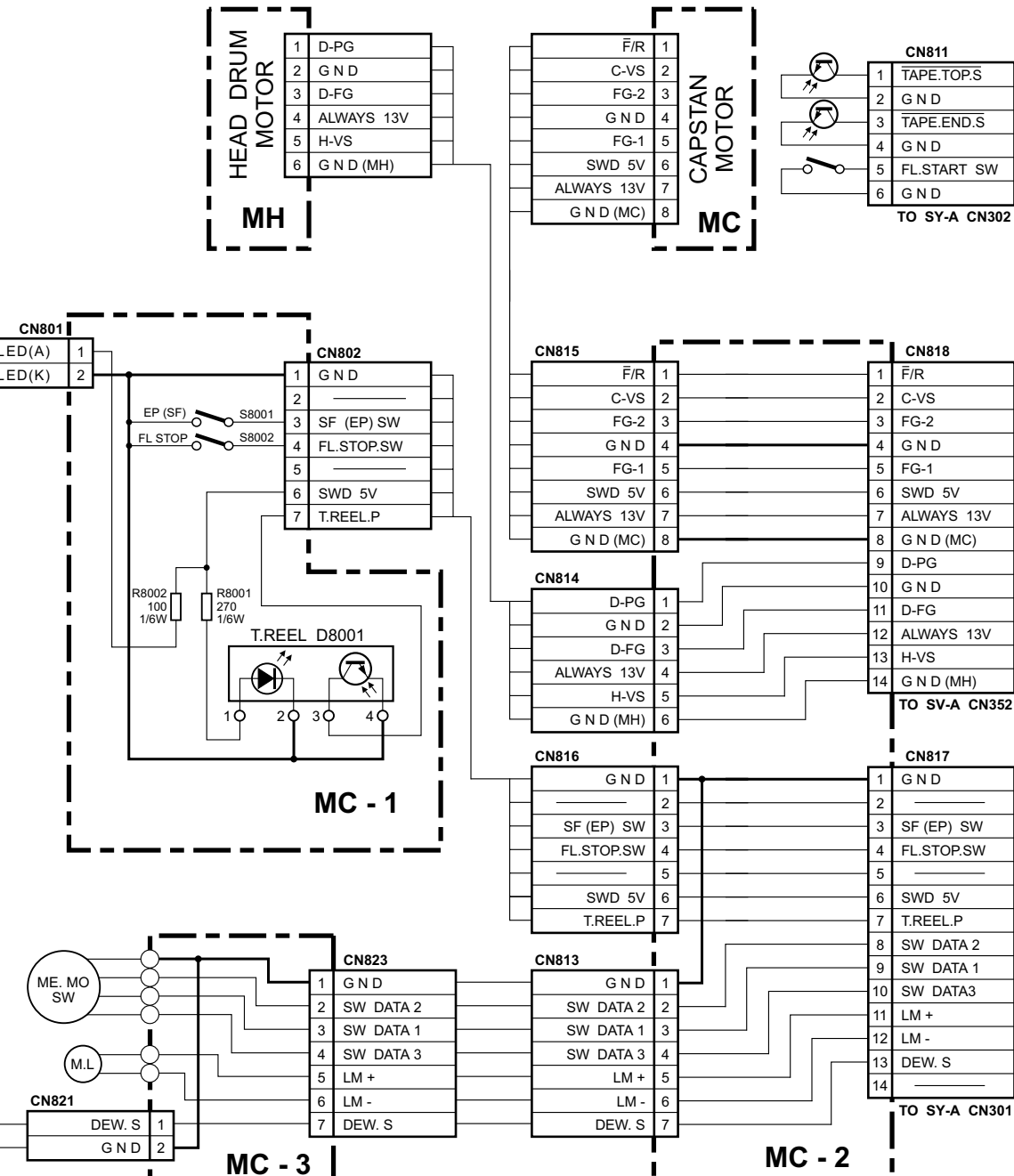
WAVEFORM OF VIDEO CIRCUIT



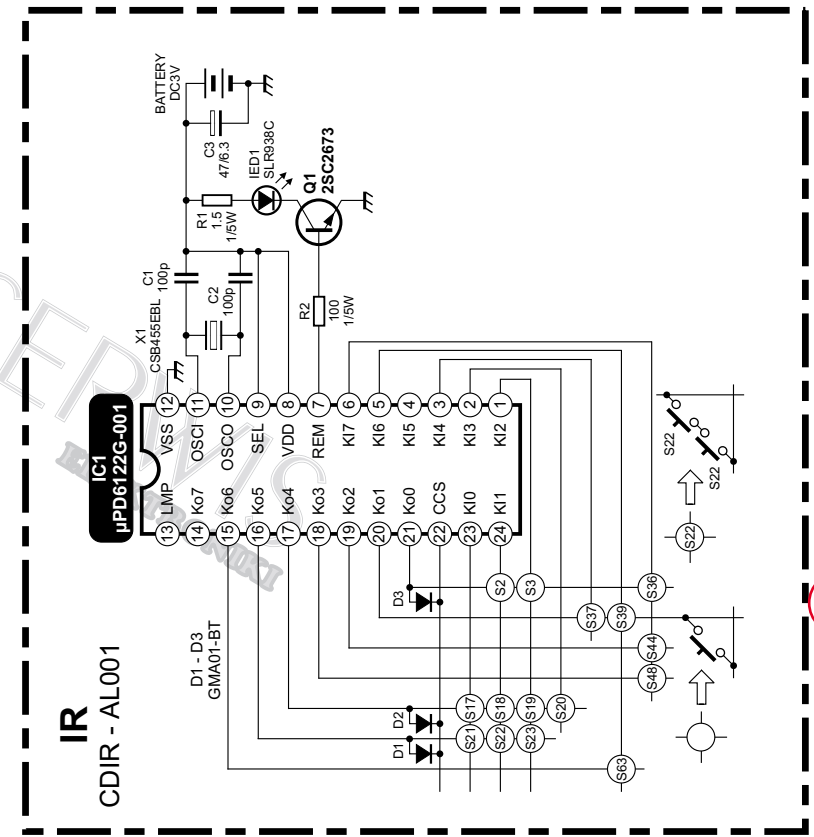
COMPL. CP-A (CV-A) RF CONVERTER CONNECTION CIRCUIT DIAGRAM



MECHANISM CONNECTION CIRCUIT DIAGRAM



IR REMOTE CONTROL CIRCUIT DIAGRAM

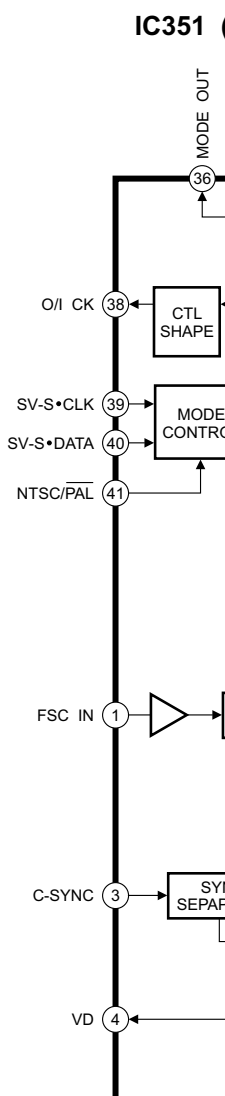
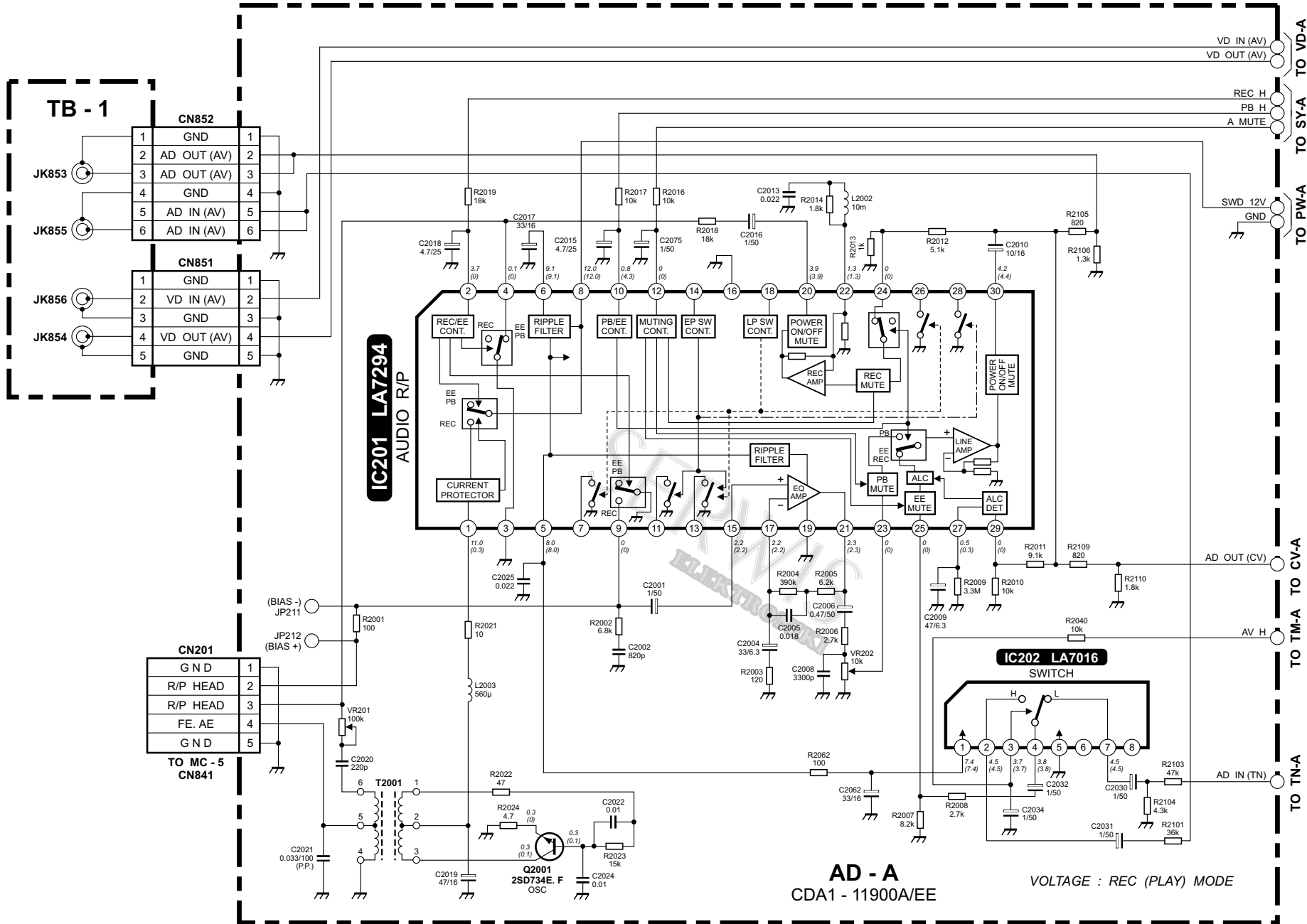


AVAILABLE KEY FUNCTION OF REMOTE CONTROL UNIT

KEY NO	FUNCTION
S2	USE
S3	USE
S17	USE
S18	USE
S19	USE
S20	USE
S21	USE
S22	USE
S23	USE
S36	USE
S37	USE
S39	USE
S44	USE
S48	USE
S63	USE

WAVEFORM OF SERVO CIRCUIT

COMPL. CP-A (AD-A) AUDIO & COMPL. TB-1 TERMINAL CIRCUIT DIAGRAM



2



